
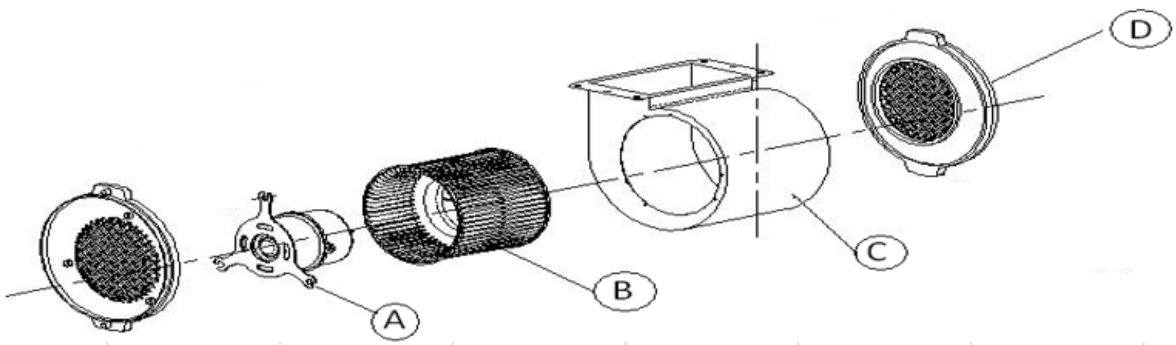


Model: DAH9025G

No	Part No.	Description	Qty
1	SYEP1202M	Extension pipe	1
2	SYH019	Hook (low bracket/ high bracket)	2
3	SYCI388	Inside chimney(500mm)	1
4	SYCO388	Outside chimney(500mm)	1
5	SYO004	Outlet	1
6	SYPCBC016	The cover of the PCB box	1
8	SYPCBB017	The bottom of the PCB BOX	1
7	SYEBPCB	PCB board (new with the fuse socket)	1
9	SYC353C9	Casing	1
10	SYS013	Switch bracket	1
11	SYEB388 	Electronic Button (assembly,including the plastic part and key)	1
12	SYS353C3	Shell	1
13	SYCP353C3	connection panel	1
14	SYC020AU	Cable(with plug)	1
15/16/17/ 18/19/20	SYCMF03	Motor accessory with connector(750m3/h air suction for fitting electronic button and halogen lamps)	1
21	SYG353C3	Glass	1
22	SYLB353C3	Lamp board	1
23	SYL009	Light	2
24	SYF353C3	Filter	2



Model: DAH9025G

No	Part No.	Description	Qty
A	SYM017	motor with connector (750m3/h air suction for fitting electronic button and halogen light)	1
B	SYI019	old material impeller (remarks: this one is stopped since WK08/2008)	1/3
	SYIOP019	new material impeller with old hole(starting from 0808001) (remarks: this one is started from WK08/2008, and stoped since WK16/2008, because we have improved the impeller with PC hole which can bear higher temperature)	
	SYINP019	new material impeller with PC hole(starting from 0816001) (remarks: this one is started from WK16/2008 and also in production now)	
C	SYB012	Blower	1
D	SYG011	Grid	1