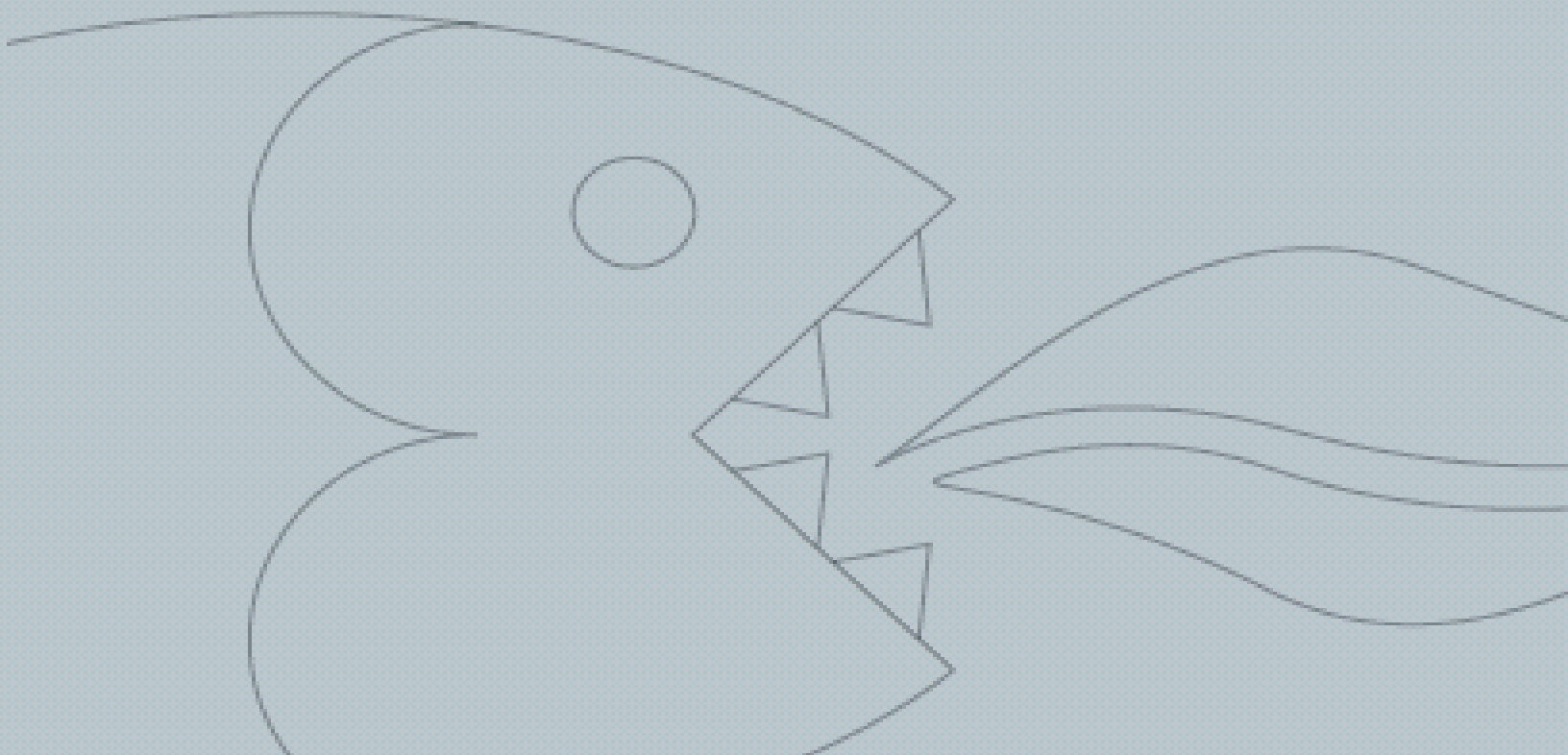


BAO6008-P
60cm Double oven

Instruction manual



User Manual for your Baumatic

BAO6008-P Pythagora 60 cm double oven



The smart choice

NOTE: This User Instruction Manual contains important information, including safety & installation points, which will enable you to get the most out of your appliance. Please keep it in a safe place so that it is easily available for future reference; for you or any person not familiar with the operation of the appliance.

DD 14/02/11

Contents

Welcome to Think Appliances	3
Environmental note	4
Important safety information	5 – 7
Specifications	8
Product and aperture dimensions	8
Product specifications	9-10
Standard accessories	9
Optional extras	9
Electrical details	9
Control panel	10
Oven programmer/timer display	10
Setting and using the oven programmer/timer	11
Selecting manual operation mode	11
Setting the time of day	11
Before first use	11
Setting the minute minder function	12
Setting the duration function (main oven only)	13
Selecting the end cook function (main oven only)	14
Setting the start and end time function (main oven only)	15
Adjusting the audible signal	15
Selecting a cooking function and temperature	16
Selecting manual operation mode	16
Selecting a main oven function	16
Main oven functions	16-17
Main oven thermostat control knob	17
Selecting a secondary oven function	18
Secondary oven thermostat control knob	18
Oven operating light (main and secondary oven)	18
Cooking guidelines	19
Warnings	19-20
Cleaning and maintenance	20 - 21
Replacing the oven bulb (main oven)	21
Replacing the oven bulb (secondary oven)	22
Removing the oven door for cleaning	23
Installation	24
Installing the oven into the kitchen cabinet	25
Positioning the appliance	25
Ventilation requirements	26
My appliance isn't working correctly	27 – 28

Dear Customer,

Congratulations on purchasing your new product from Think Appliances.

To register your parts and labour warranty (some conditions apply please refer to your warranty card for more details) please contact our Customer Care team on:

1800 444 357

Our Customer Care centre is there to ensure you get the most out of your appliance. For example, should you want to learn more about recommended cooking temperatures, the various cooking functions available, how to set and program your LED clock, and importantly taking care of your appliance when cleaning, please call us because we are here to help you.

It is important that you read through the following use and care manual thoroughly to familiarize yourself with the installation and operation requirements of your appliance to ensure optimum performance.

We also carry a complete range of spare parts for all Think products. For all your spare parts enquiries please contact our team at Pronto Parts on:

1300 306 973

Again, thank you for choosing an appliance brought to you by Think Appliances and we look forward to being of service to you.

Kind regards

Management

Think Appliances

Environmental note

- The packaging materials that Baumatic uses are environmentally friendly and can be recycled.
- Please discard all packaging material with due regard for the environment.

IMPORTANT SAFETY INFORMATION



Your safety is of the utmost importance to Baumatic. Please make sure that you read this instruction booklet **before** attempting to install or use the appliance. If you are unsure of any of the information contained in this booklet, please contact the Baumatic Technical Department.

General Information

- This appliance is designed for domestic household use and can be built into a standard kitchen cabinet or housing unit.
- **IMPORTANT:** The adjacent furniture or housing and all materials used in the installation **must** be able to withstand a minimum temperature of 85°C above the ambient temperature of the room it is located in, whilst in use.
- Certain types of vinyl or laminate kitchen furniture are particularly prone to heat damage or discolouration at temperatures below the guidelines given above.
- Any damage caused by the appliance being installed in contravention of this temperature limit, or by placing adjacent cabinet materials closer than 4mm to the appliance, **will be the liability of the owner.**
- For use in **leisure accommodation vehicles**, please refer to the appropriate information given in the installation instructions for this appliance.
- The use of this appliance for any other purpose or in any other environment without the express agreement of Baumatic Ltd. will invalidate any warranty or liability claim.
- Your new appliance is guaranteed against electrical or mechanical defects, subject to certain exclusions that are noted in Baumatic's Conditions Of Guarantee. The foregoing does not affect your statutory rights.
- **Repairs may only be carried out by Baumatic Service Engineers or their authorised service agent.**

Warning and safety instructions

- This appliance complies with all current European safety legislation. Baumatic do wish to emphasise that this compliance does not remove the fact that the appliance surfaces **will become hot during use and retain heat after operation.**

Child Safety

- Baumatic strongly recommend that babies and young children are prevented from being near to the appliance and not allowed to touch the appliance **at any time.**
- If it is necessary for younger family members to be in the kitchen, please ensure that they are kept under close supervision at all times.

General Safety

- **Do not** place heavy objects on the oven door or lean on the oven door when it is open, as this can cause damage to the oven door hinges.
- **Do not** leave heated oil or fat unattended, as this is a fire risk.
- **Do not** place pans or baking trays directly on the base of the oven cavity, or line it with aluminium foil.
- **Do not** allow electrical fittings or cables to come into contact with areas on the appliance that get hot.
- **Do not** use the appliance to heat the room it is located in or to dry clothing.
- **Do not** install the appliance next to curtains or soft furnishings.
- **Do not** attempt to lift or move cooking appliances by using the oven door or handle, as this may cause damage to the appliance or result in injury to the person lifting the appliance.

Cleaning

- Cleaning of the oven should be carried out on a regular basis.
- Great care should be taken whilst using this appliance and when following the cleaning procedure.
- **IMPORTANT:** The appliance must be disconnected from the mains before following the cleaning procedure.

Installation



This appliance must be correctly installed by a suitably qualified person, strictly in accordance with the manufacturer's instructions.

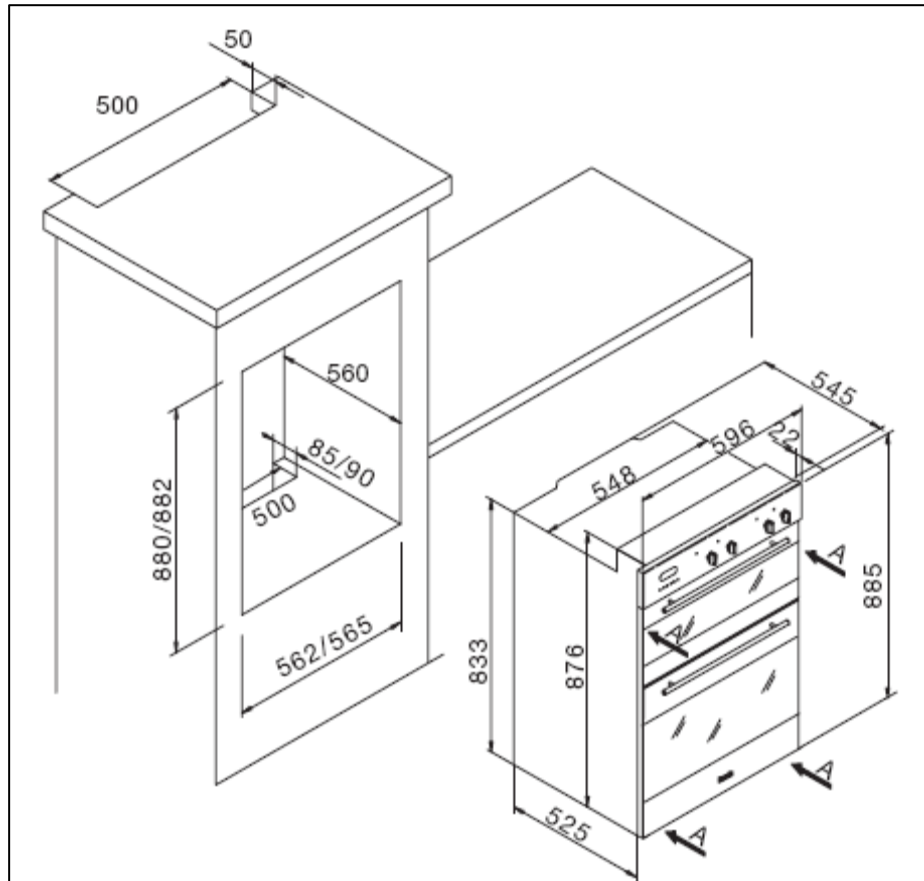
- **Baumatic Ltd. declines any responsibility for injury or damage, to person or property, as a result of improper use or installation of this appliance.**
- Heat, steam and moisture will be created during use of the appliance, take care to avoid injury and ensure that the room is adequately ventilated. If the appliance is going to be used for prolonged periods of time, then additional ventilation may be required.
- Please consult with your qualified installer if you are in any doubt about the amount of ventilation that you will require.

Declaration of conformity

- In the parts destined to come into contact with foodstuffs, this appliance is in accordance with the requirements of the EC directive 89/109 transposed in the Italian Legislative Decree No. 108 of 25/01/92.
- **CE:** Appliance conforming to the European directives 89/336/EEC, 93/68/EEC, 73/23/EEC and subsequent revisions and "RoHS" directive 2002/95/CE.*
- The manufacturer declares that the oven is built using certified materials and requires the appliance to be installed in accordance with the standards currently in force. This appliance must be used by a trained person for domestic purposes only.

- * The RoHS directive stands for "the restriction of the use of certain hazardous substances in electrical and electronic equipment". This directive bans the placing on the EU market of new electrical and electronic equipment containing more than the agreed levels of lead, cadmium, mercury, hexavalent chromium, polybrominated biphenyl (PBB) and polybrominated diphenyl ether (PBDE) flame retardants.

Specifications



Product Dimensions

Height: 885 mm
Width: 596 mm
Depth: 545 mm

Aperture Dimensions

880 mm – 882 mm
562 mm – 565 mm
560 mm

Cooling fans

- Two tangential cooling fans are fitted inside of this appliance, to make the internal temperature of the oven stable and the external surface temperature lower.

Product specifications

- Energy efficiency class: A
- LED full programmer
- 2 Cooling fans
- Thermostatically controlled grills
- Triple-glazed removable doors

- **Top oven: static oven and grill**
- 4 functions
- Capacity: 36 litres

- **Main oven: multifunction oven**
- 9 functions
- Capacity: 60 litres

Standard accessories

- Removable side racks
- 3 x Safety shelves
- 2 x Enamelled drip trays with handle
- 2 x Drip tray rack

Electrical details

Rated Voltage:	240 Vac 50 Hz
Supply Connection:	30 A (double pole switched fused outlet with 3mm contact gap)
Max Rated Inputs:	4.92 kW
Mains Supply Lead:	3 x 2.5 mm ²
Oven Light Bulb:	25 W/300°C screw type pygmy

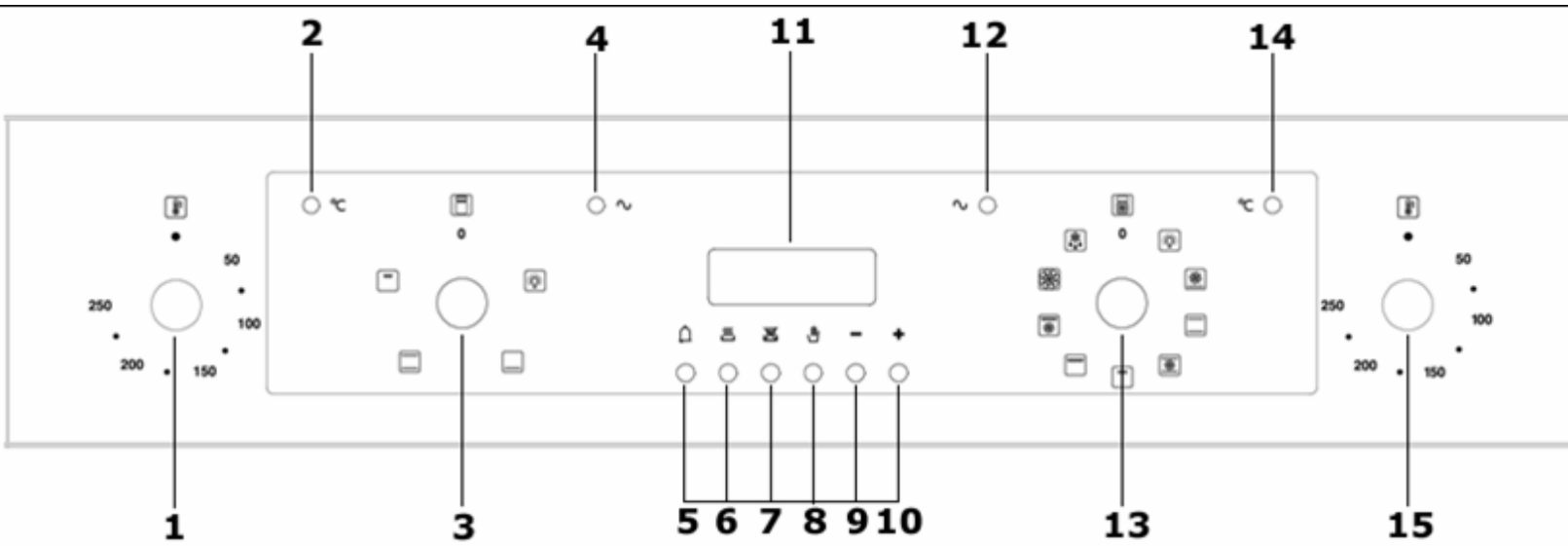
For future reference please record the following information which can be found on the Rating Plate and the date of purchase which can be found on your sales invoice. The rating plate for your oven can be located by opening the oven door and looking on the right hand side of the oven chassis.

Model Number

Serial Number

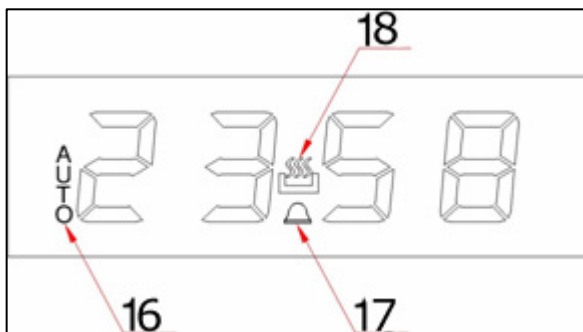
Date of Purchase

Control Panel



- 1) Secondary oven thermostat control knob
- 2) Secondary oven operating light
- 3) Secondary oven function selection knob
- 4) Secondary oven power indicator light
- 5) Timer "minute minder" button
- 6) Timer "duration" button
- 7) Timer "end cook" button
- 8) Timer "manual operation" button
- 9) Timer "minus" button
- 10) Timer "plus" button
- 11) Oven programmer/timer
- 12) Main oven power indicator light
- 13) Main oven function selection knob
- 14) Main oven operating light
- 15) Main oven thermostat control knob

Oven programmer/timer display



- 16) "Auto" function symbol
- 17) "Minute minder" symbol
- 18) "Manual operation" symbol.

Setting and using the oven programmer/timer

Selecting manual operation mode

After your appliance is connected to your mains supply for the first time, the numbers on the timer display will flash. Before you can select a cooking function or set a temperature, you must set the appliance into "manual operation" mode.

- To select manual operation mode, press the "manual operation" button **(8)** on the control panel.

Setting the time of day

After setting your oven for manual operation, you should also set the time of day.

- Use the "minus" button **(9)** and "plus" button **(10)** to adjust the time that appears in the display. After getting the display to the correct time, release the "minus" and "plus" buttons. After five seconds the time will fix in the display and you will be able to use your oven.
- The "manual operation" symbol **(18)** will light on the oven programmer/timer display.

Before first use

- To remove any residue from the oven that may have been left from the manufacturing process, you should select either the fan or conventional oven function and turn the thermostat dial to its maximum temperature setting. For the secondary oven you should select the conventional oven function and select its maximum temperature setting.
- It is perfectly normal for a smell to be produced during this process.
- You should make sure that any windows in the room are left open during this process.
- It is advisable for you not to remain in the room whilst the burning off process is taking place.
- You should leave each oven on maximum setting for 30 – 40 minutes.
- **IMPORTANT: You should not burn off both ovens simultaneously.**

Setting the minute minder function (main and secondary oven)

You are able to set the minute minder at any time, regardless of whether an oven function has been selected. You can set a period of time using the minute minder function and an alarm will sound when this period of time has elapsed.

- Press the "minute minder" button **(5)**, the display will show a value of 00:00. Set the period of time that you wish the minute minder to countdown for, by using the "minus" **(9)** and "plus" **(10)** buttons.
- Once the display has got to your desired countdown time, let go of the "minus" and "plus" buttons. The minute minder symbol **(17)** will appear on the timer display.
- Once a countdown time has been set, it is possible to shorten or lengthen the time by using the "minus" or "plus" buttons.
- An alarm will sound when the countdown time has elapsed. The alarm can be silenced by pressing the "minute minder" button or "manual operation button"
- **Important:** The oven will continue to heat once the alarm has been silenced. If you have finished cooking, then you should turn the oven function selector and thermostat control knob to 0.

Setting the duration function (main oven only)

This function will allow you to set a countdown time similar to the minute minder function. However the oven will no longer continue to heat, once the countdown period has elapsed.

- Use the main oven thermostat control knob **(15)** to set the temperature that you require. The manual operation symbol **(18)** will appear on the display.
- Use the main oven function selection knob **(13)** to select the mode of cooking that you require.
- It is then possible to set the duration of the cooking time that you require.
- Press the "duration" button **(6)** and the display will show a value of 00:00. Set the period of time that you wish the duration function to countdown for, by using the "minus" **(9)** and "plus" **(10)** buttons.
- Once the display has got to your desired countdown time, let go of the "minus" and "plus" buttons. The countdown will start immediately and the word AUTO will appear on the timer display.
- Once a countdown time has been set, it is possible to shorten or lengthen the time by using the "minus" or "plus" buttons.
- An alarm will sound when the countdown time has elapsed and the oven will switch off. The word AUTO will flash and the heating symbol will disappear.
- To silence the audible signal and return the oven to manual operation mode, once the duration function has been used. You should press the "manual operation" button, the word AUTO will disappear from the display and the manual operation symbol will appear instead.
- **Important:** If you do not turn the thermostat control knob and main oven function selection knob to 0. Then the appliance will continue to operate as soon as you press the "manual operation" button.

Setting the end cook function (main oven only)

This function is similar to the duration function, however instead of selecting a period of time that you wish the oven to switch off after. You select the time of day that you wish the oven to switch off at.

- Use the main oven thermostat control knob **(15)** to set the temperature that you require. The manual operation symbol **(18)** will appear on the display.
- Use the main oven function selection knob **(13)** to select the mode of cooking that you require.
- Press the "end cook" button **(7)** and the display will show a value of 00:00. Set the time of day that you wish the oven to stop cooking at by using the "minus" **(9)** and "plus" **(10)** buttons. The timer will calculate how long the cooking time will be, based on the time of day that you have selected and show it on the display.
- Once the display has got to the time of day that you want the oven to stop cooking at, let go of the "minus" and "plus" buttons. The countdown will start immediately and the word AUTO will appear on the timer display.
- When the time is set, it can be modified by pressing the "minus" and "plus" buttons.
- When the time of day reaches the end of cooking time that you set, the oven will switch off and an alarm will sound. The word AUTO will flash and the heating symbol will disappear.
- To silence the audible signal and return the oven to manual operation mode, once the end cook function has been used. To do this you should press the "manual operation" button, the word AUTO will disappear from the display and the manual operation symbol will appear instead.
- **Important:** If you do not turn the thermostat control knob and oven function selection knob to 0. Then the appliance will continue to operate as soon as you press the "manual operation" button.

Setting the start and end time function (main oven only)

This function will allow you to set a time in the future that the oven switches on at and a time that the oven will switch off at.

- Use the main oven thermostat control knob **(15)** to set the temperature that you require. The manual operation symbol **(18)** will appear on the display.
- Use the main oven function selection knob **(13)** to select the mode of cooking that you require.
- Press the "duration" button **(6)** and the display will show a value of 00:00. Set the period of time that you wish to cook for, by using the "minus" **(9)** and "plus" **(10)** buttons. The word AUTO will appear on the timer display.
- **Immediately** press the "end cook" button **(7)** and the timer display will show the value 00:00. Set the time of day that you want the oven to switch off at, using the "minus" and "plus" buttons.
- The oven will calculate what time it needs to switch on at, so that your food will cook for the length of time that you selected. It will automatically switch itself on, once it reaches the time of day that it has calculated.
- When the time of day reaches the end of cooking time that you set, the oven will switch off and an alarm will sound. The word AUTO will flash and the heating symbol will disappear.
- To silence the audible signal and return the oven to manual operation mode, once the start and end time function has been used. To do this you should press the "manual operation" button, the word AUTO will disappear from the display and the manual operation symbol will appear instead.
- **Important:** If you do not turn the thermostat control knob and oven function selection knob to 0. Then the appliance will continue to operate as soon as you press the "manual operation" button.

Adjusting the audible signal

- To adjust the level of the audible signal, when it is sounding, press the minus button and it will adjust through the 3 sound levels. Release the minus button and the sound level of the audible signal will be set.

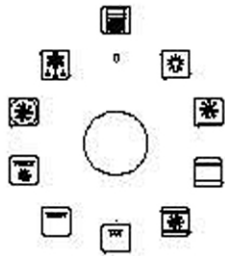
Selecting a cooking function and temperature

Selecting manual operation mode

After your appliance is connected to your mains supply for the first time, the numbers on the timer display will flash. Before you can select a cooking function or set a temperature, you must set the appliance into “manual operation” mode.

- To select manual operation mode, press the “manual operation” button **(8)** on the control panel.

Selecting a main oven function



The main oven function selection knob should be used to select the particular mode of cooking that you require. The appliance will utilise different elements within the oven cavity, depending on the oven function that you select. When a function is selected, the main oven power indicator light will come on.

Main oven functions



OVEN LIGHT: Separate light control which allows the light to be switched on, even when the oven is switched off.



FAN AND LOWER ELEMENT: This method of cooking uses the bottom element with the fan to circulate the heat. For delicate dishes and heating pre-cooked food. Suitable for patisserie, baking foods that require concentration of heat on the base.



CONVENTIONAL OVEN (top and lower element): This method of cooking provides traditional cooking, with heat from the top and lower elements. This function is suitable for roasting and baking on one shelf only.



CONVECTION OVEN AND FAN: This method of cooking provides traditional cooking with heat from the top and the lower element, it also utilises the circulation fan. This ensures a fast and even distribution of the heat. Suitable for light and delicate baking, such as pastries.



HALF GRILL MODE: This method of cooking utilises the inner sections of the top element, which directs heat downwards onto the food. This function is suitable for grilling portions of bacon, toast and meat etc.



FULL GRILL: This method of cooking utilises the inner and outer parts of the top element, which directs heat downwards onto the food. This function is suitable for grilling medium or large portions of sausages, bacon, steaks, fish etc.



FAN AND GRILL: This method of cooking utilises the top element in conjunction with the fan, which helps to provide a quick circulation of heat. This function is suitable where quick browning is required and "sealing" the juices in, such as steaks, hamburgers, some vegetables etc.

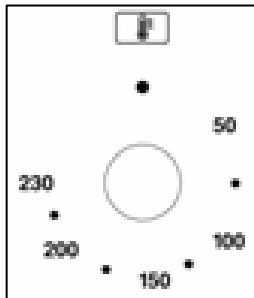


FAN OVEN: This method of cooking uses the circular element while the heat is distributed by the fan. This results in a faster and more economical cooking process. The fan oven allows food to be cooked simultaneously on different shelves, preventing the transmission of smells and tastes from one dish onto another.



DEFROST MODE: The fan runs without heat to reduce the defrosting time of frozen foods. The time required to defrost the food will depend on the room temperature, the quantity and type of food. Always check food packaging for the defrosting instructions.

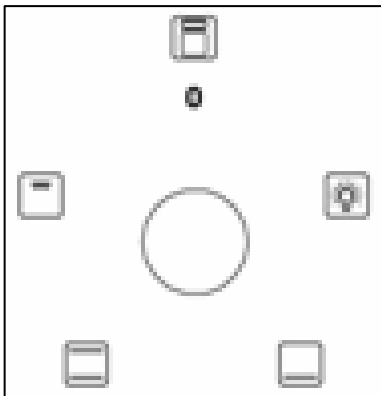
Main oven thermostat control knob



The oven thermostat control knob sets the required temperature of the oven. It is possible to regulate the temperature within a range of 50 - 230°C.

Turn the control knob clockwise.

Selecting a secondary oven function



The secondary oven function selection knob should be used to select the particular mode of cooking that you require. The appliance will utilise different elements within the oven cavity, depending on the oven function that you select. When a function is selected, the secondary oven power indicator light will come on.



OVEN LIGHT: Separate light control which allows the light to be switched on, even when the oven is switched off.



LOWER ELEMENT: This method of cooking uses the lower element to direct heat upward to the food. For slow-cooking recipes or for warming up meals.

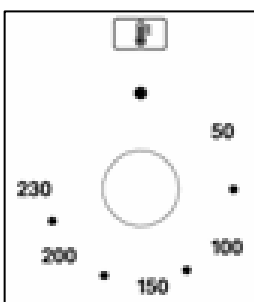


CONVENTIONAL OVEN (top and lower element): This method of cooking provides traditional cooking, with heat from the top and lower elements. This function is suitable for roasting and baking on one shelf only.



CENTRE GRILL: This cooking method is static grilling utilising the inner part of the top element, which directs heat downward onto the food. Suitable for grilling small portions of meat or for toasted sandwiches.

Secondary oven thermostat control knob



The oven thermostat control knob sets the required temperature of the oven. It is possible to regulate the temperature within a range of 50 - 230°C.

Turn the control knob clockwise.

Oven operating light (main and secondary oven)

This light will come on to indicate that the oven's heating elements are in operation. The light will turn off when the temperature set on the thermostat control knob has been reached. It will cycle on and off throughout the cooking time.

You should not place food inside the cavity, until the correct cooking temperature has been reached.

Cooking guidelines

- Please refer to the information given on food packaging for guidance on cooking temperatures and times. Once familiar with the performance of your appliance, temperatures and times can be varied to suit personal preference.
- If you are using the fan oven function, then you should follow the information given on the food packaging for this particular mode of cooking.
- Make sure that frozen foods are thoroughly thawed before cooking, unless the instructions on the food packaging advise that you can "cook from frozen".
- You should pre-heat the oven and not place food inside of it until the oven operating light has gone off. You can choose not to pre-heat when using the fan oven mode; however you should extend the cooking time given on the food packaging by approximately ten minutes.
- Before cooking, check that any unused accessories are removed from the oven.
- Place cooking trays in the centre of the oven and leave gaps between the trays to allow air to circulate.
- Try to open the door as little as possible to view the dishes.
- The oven light will remain on during cooking.

Warnings

- Keep the oven door closed when using a grill function.
- Do not use aluminium foil to cover the grill pan or heat items wrapped in aluminium foil under the grill. The high reflectivity of the foil could potentially damage the grill element.
- You should also never line the base of your oven with aluminium foil.
- During cooking, never place pans or cookware directly onto the bottom of your oven. They should always be placed on the shelves provided.
- The grill heating element becomes extremely hot during operation, avoid touching it inadvertently when handling the food which you are grilling.

- **Important:** Be careful when opening the door, to avoid contact with hot parts and steam.
- The drip tray handle should only be used to reposition the drip tray and **NOT** for removing it from the oven cavity. When removing the drip tray, you should **ALWAYS** use an oven glove.
- The drip tray handle should not be left in position when the appliance is switched on.

Cleaning and maintenance



Cleaning operations must only be carried out when the oven is cool.

The appliance should be disconnected from your mains supply before commencing any cleaning process.

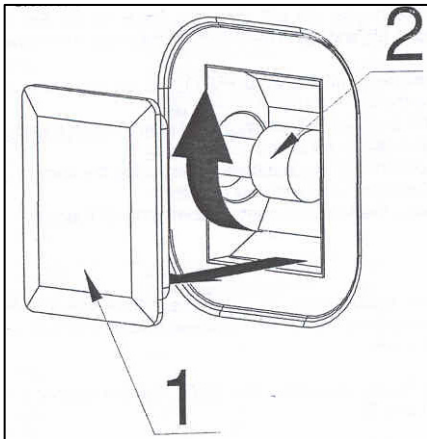
- The oven should be thoroughly cleaned before it is operated for the first time and after each use. This will avoid residual food stuffs becoming baked on the oven cavity. After residues have been baked on several times, they are far more difficult to remove.
- **Never** clean the oven surfaces by steam cleaning.
- The oven cavity should only be cleaned with warm soapy water, using either a sponge or soft cloth. No abrasive cleaners should be used.
- Any stains that may appear on the bottom of the oven will have originated from food splashes or spilt food, these splashes occur during the cooking process. These could possibly be a result of the food being cooked at an excessively high temperature or being placed in cookware that is too small.
- You should make sure that the cooking temperature that is selected is appropriate for the food that you are cooking. You should also ensure that the food is placed in an adequately sized dish and you the drip tray where appropriate.
- Outer parts of the oven should only be cleaned with warm soapy water, using either a sponge or soft cloth. No abrasive cleaners should be used.
- If you use any form of oven cleaner on your appliance, then you must check with the manufacturer of the cleaner that it is suitable for use on your appliance.

- Any damage that is caused to the appliance by a cleaning product will not be fixed by Baumatic free of charge, even if the appliance is within the guarantee period.

Replacing the oven bulb (main oven)



IMPORTANT: The oven must be switched off before you attempt to either remove or replace the oven bulb.

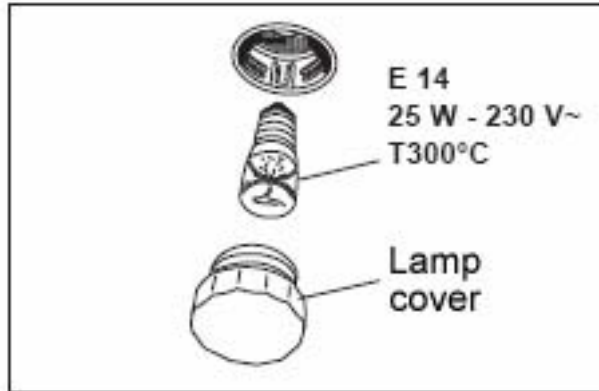


- Remove all oven shelves, the drip tray and the side rack that is on the same side as the oven light.
- Using a screwdriver, remove the lamp cover (1).
- Unscrew the bulb (2) clockwise and remove it from its holder.
- Replace the bulb with a 25 W/300°C, screw type pigmy.
- **Do not** use any other type of bulb.
- Place the lamp cover back into position. There is a curve on one side of the cover; this should be on the right hand side as the cover goes back into place.

Replacing the oven bulb (secondary oven)

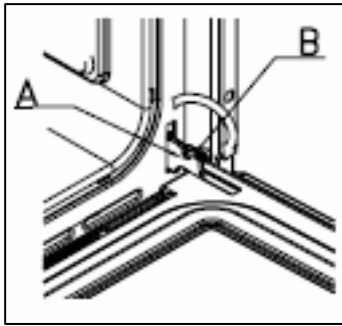


IMPORTANT: The oven must be disconnected from your mains supply before you attempt to either remove or replace the oven bulb.



- Remove all oven shelves and the drip tray.
 - Unscrew the lamp cover.
 - Unscrew the bulb and remove it from its holder.
-
- Replace the bulb with a 25 W/300°C, screw type pygmy.
 - **Do not** use any other type of bulb.
 - Screw the lamp cover back into its original position.

Removing the oven door for cleaning



To facilitate the cleaning of the inside of the oven and the outer frame of the oven, the door can be removed as follows:-

- The hinges **(A)** have two movable bolts on them **(B)**.
- If you raise both of the movable bolts **(B)**, then the hinges **(A)** are released from the oven housing.
- You should grip the sides of the door at the centre and then incline it slightly towards the oven cavity and then by pulling it gently away from the oven cavity.
- **IMPORTANT:** You should make sure that the door is supported at all times and that you place the door on some padded material whilst cleaning it.
- The oven door and door glass should only be cleaned using a damp cloth and a small amount of detergent. The cloth **MUST NOT** have come into contact with any form of cleaning product or chemical previously.
- To refit the door you should slide the hinges back into their slots and open the door fully.
- **IMPORTANT:** The movable bolts **(B)** must be closed back into their original positions before closing the door.



- **Take care not to dislodge the hinge locking system when removing the door, as the hinge mechanism has a strong spring.**
- **Do not immerse the door in water at any time.**

INSTALLATION



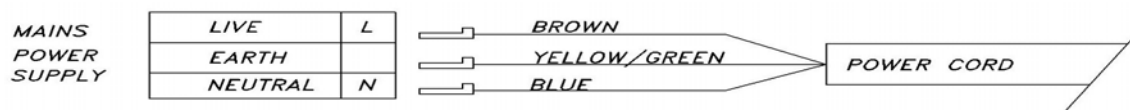
The installation must be carried out by a suitably qualified person, in accordance with the current version of the following.

- UK Regulations and Safety Standards or their European Norm Replacements.
- **Building Regulations** (issued by the Department of the Environment).
- **Building Standards** (issued by the Scottish Development Department).
- **IEE Wiring Regulations.**
- **Electricity At Work Regulations.**

Before connecting the appliance, make sure that the supply voltage marked on the Rating Plate corresponds with your mains supply voltage.

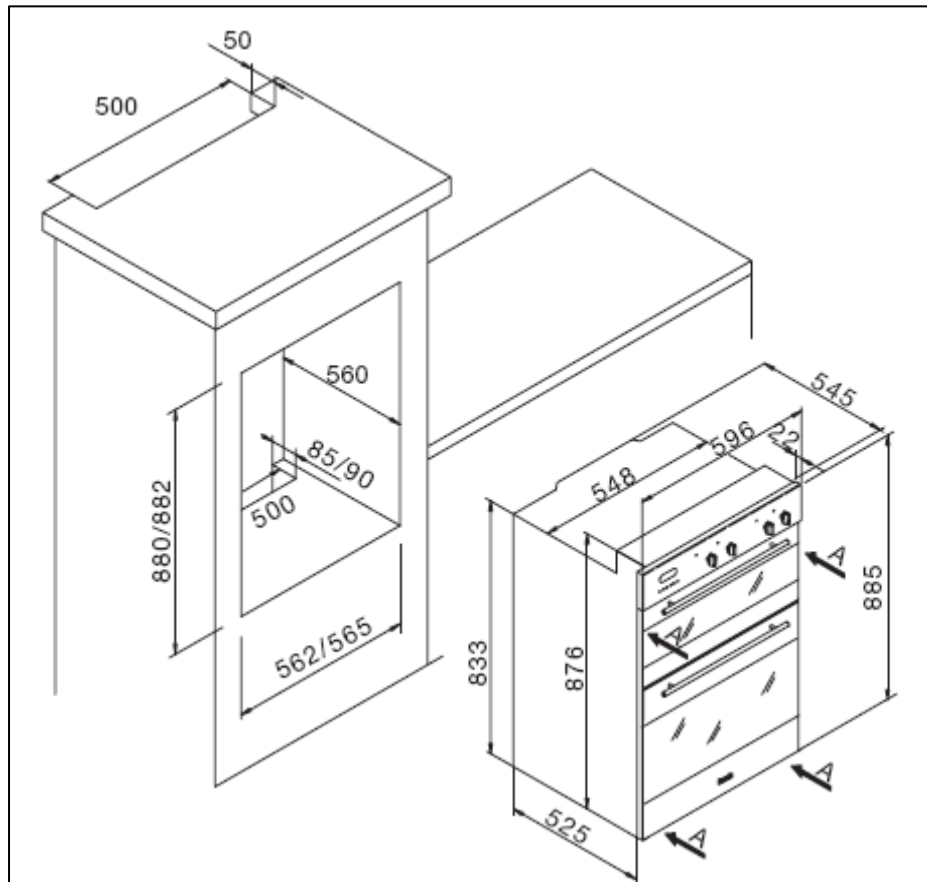
WARNING: THIS APPLIANCE MUST BE EARTHED.

- This appliance should be wired into a 13 A double pole switched fused spur outlet, having 3 mm contact separation and placed in an easily accessible position adjacent to the appliance. The spur outlet must still be accessible even when your oven is located in its housing.



- To connect the oven power cord, loosen and remove the cover on the terminal block, in order to gain access to the contacts inside. Make the connection, securing the cord in place with the cable clamp provided and then immediately close the terminal block cover again.
- If you have to change the oven power cord, the earthing (yellow/green) conductor must always be 10 mm longer than the line conductors.
- Care must be taken to ensure that the temperature of the mains supply cable does not exceed 50°C.
- If the mains supply cable is damaged, then it must be replaced by an appropriate replacement.

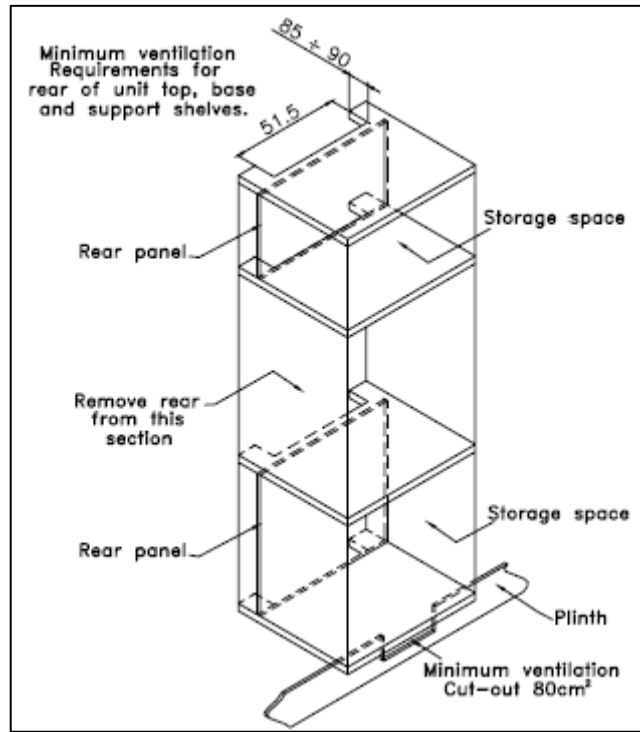
Installing the oven into the kitchen cabinet



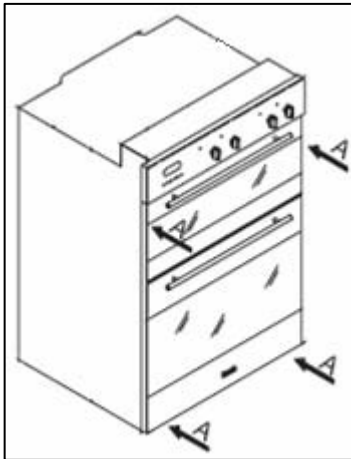
Positioning the appliance

- Ensure that the aperture that you will be fitting the oven into is of the size given in the above diagram.
- The oven must be fitted into an oven housing with the ventilation cut-outs shown in the "Ventilation requirements" section on the next page.
- Ensure that the rear panel of the furniture housing unit has been removed.

Ventilation requirements



(Figure shows the ventilation and cut-out requirements for the installation of the appliance into a tall housing unit).



- Ensure that the oven has been securely fixed into the housing unit. The fixing of the oven into the housing is made by using four screws. These should be screwed through the oven cabinet and into the housing unit.

My appliance isn't working correctly

- **The oven isn't coming on.**
 - * Check that the oven is in manual operation mode.
 - * Check that you have selected a cooking function and a cooking temperature.
- **There appears to be no power to the oven and grill.**
 - * Check that the appliance has been connected to the electrical mains supply correctly.
 - * Check that the mains fuses are in working order.
 - * Check that the operating instructions for setting the time of day and putting the appliance into manual operation mode have been followed.
- **The grill function works but the main oven does not.**
 - * Check that you have selected the correct cooking function.
- **The grill and top oven element is not working, or cuts out for long periods of time during use.**
 - * Allow the oven to cool for approximately 2 hours. Once cool, check whether the appliance is again working properly.
- **My food is not cooking properly**
 - * Ensure that you are selecting the correct temperature and the correct cooking function for the food that you are cooking. It may be appropriate to adjust your cooking temperature by plus or minus 10°C, to achieve the best cooking results.
- **My food is not cooking evenly**
 - * Check that the oven has been installed correctly and is level.
 - * Check that the correct temperatures and shelf positions are being used.

- **The oven lights is not working**
- * Refer to page 21-22 and follow the "Replacing the oven bulb" section.
- **I am getting condensation in my oven**
- * Steam and condensation is a natural by product of cooking any food with high water content, such as frozen food, chicken etc.
- * You may get condensation in the oven cavity and forming between the oven door glasses. This is not necessarily a sign that the oven is not working correctly.
- * Do not leave food in the oven to cool after it has been cooked and the oven has been switched off.
- * Use a covered container, where practical, when cooking to reduce the amount of condensation that forms.



IMPORTANT: If your appliance appears not to be operating correctly, then you should disconnect it from your mains supply and then contact the Baumatic Service Department.

DO NOT ATTEMPT TO REPAIR THE APPLIANCE YOURSELF.

Please note that if an engineer is asked to attend whilst the product is under guarantee and finds that the problem is not the result of an appliance fault, then you may be liable for the cost of the call out charge.

The appliance must be accessible for the engineer to perform any necessary repair. If your appliance is installed in such a way that an engineer is concerned that damage will be caused to the appliance or your kitchen, then he will not complete a repair.

This includes situations where appliances have been tiled in, sealed in with sealant, have wooden obstructions placed in front of the appliance, like plinths. Or any installation other than the one specified by Baumatic Ltd. has been completed.



Baumatic®

www.baumatic.com