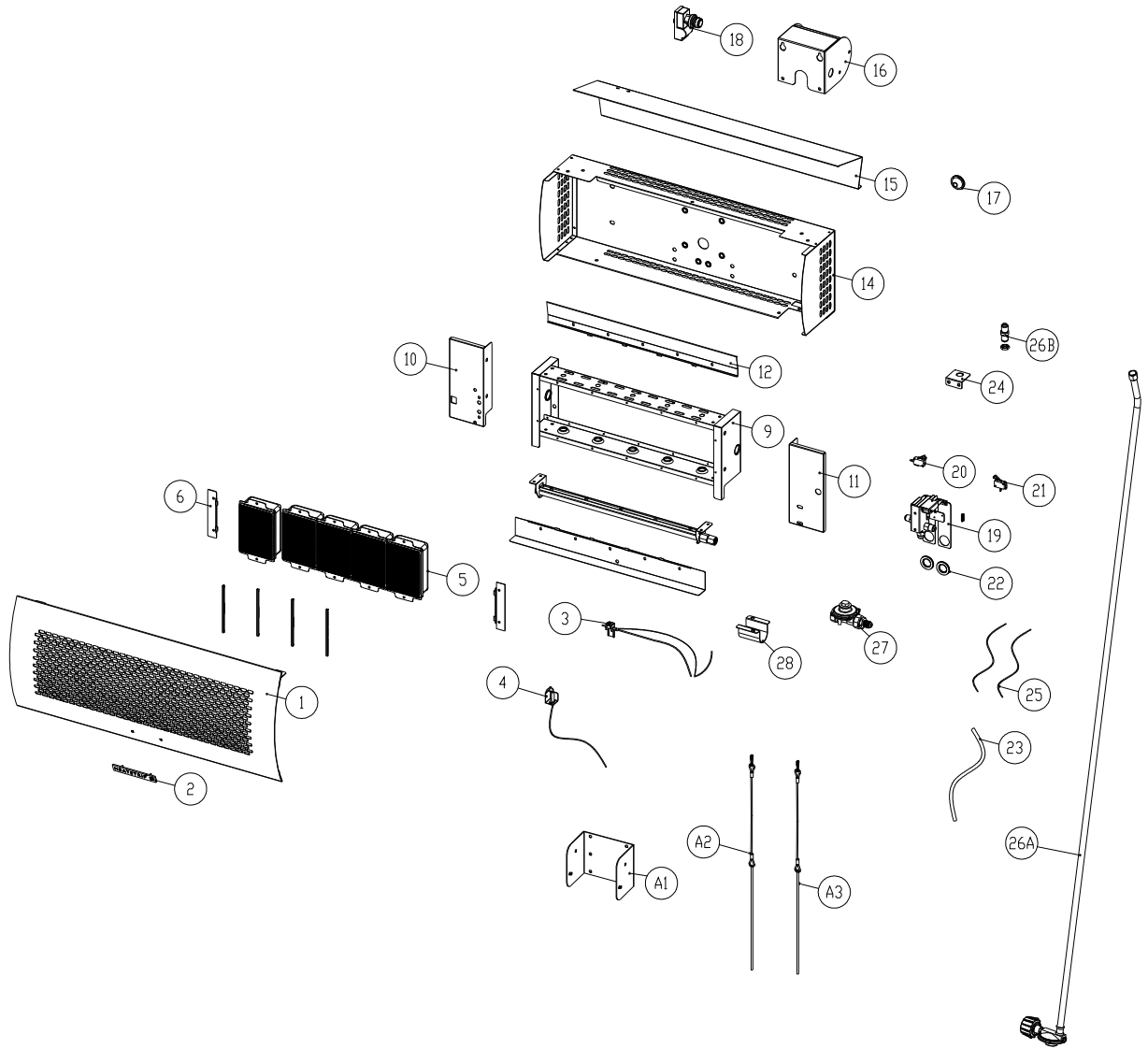


# Parts Diagram



## Parts List

| KEY | DESCRIPTION                          | PART NO.   | QTY. |
|-----|--------------------------------------|------------|------|
| 1   | Protective Guard                     | P03351045D | 1    |
| 2   | Name Plate                           | P00408001A | 1    |
| 3   | Thermocouple with wire               | P05308007B | 1    |
| 4   | Electrode with wire                  | P02618082A | 1    |
| 5   | Burner Assembly                      | P02005035D | 5    |
| 6   | Burner Bracket, Side                 | P033510324 | 2    |
| 7   | Burner Holder                        | P020110804 | 4    |
| 8   | Manifold assembly - LPG              | Y0060898   | 1    |
|     | Manifold assembly - NG               | Y0060899   | 1    |
|     | Orifice (LP)                         | P06536036A | 5    |
|     | Orifice (NG)                         | P06536037A | 5    |
| 9   | Burner Assembly Frame                | P03351029D | 1    |
| 10  | Bowl Bracket, Left                   | P033510464 | 1    |
| 11  | Bowl Bracket, Right                  | P033510474 | 1    |
| 12  | Burner Bracket, Upper                | P033510484 | 1    |
| 13  | Burner Bracket, Lower                | P033510494 | 1    |
| 14  | Head Bowl                            | P03351050D | 1    |
| 15  | Heat Deflector                       | P03351034D | 1    |
| 16  | Head Assembly Bracket                | P03351051D | 1    |
| 17  | Protective Ring                      | P05556002I | 1    |
| 18  | Electric Ignitor                     | P02505032F | 1    |
| 19  | Gas valve Assembly                   | Y0060887   | 1    |
|     | Gas valve                            | P03253002F | 1    |
|     | Spring                               | P05504116E | 1    |
| 20  | Micro Switch (ON)                    | P05382007D | 1    |
| 21  | Micro Switch (OFF)                   | P05382008D | 1    |
| 22  | Finger Protective Ring               | P055560033 | 2    |
| 23  | Connecting Hose                      | P03720006F | 1    |
| 24  | Hose Bracket                         | P03328091D | 1    |
| 25  | Electrode wire set                   | P02616080L | 2    |
| 26A | Regulator with Hose - LPG (optional) | P03640024A | 1    |
| 26B | Connector with Nut                   | P03907013A | 1    |
| 27  | Regulator - NG                       | P03640020A | 1    |
|     | Regulator - LPG                      | P03650001C | 1    |
| 28  | Thermocouple Valve Cover             | P069090104 | 1    |
| A1  | Wall Mounting Bracket                | P03351040D | 1    |
| A2  | Red string                           | P03351036A | 1    |
| A3  | Black string                         | P03351035A | 1    |