

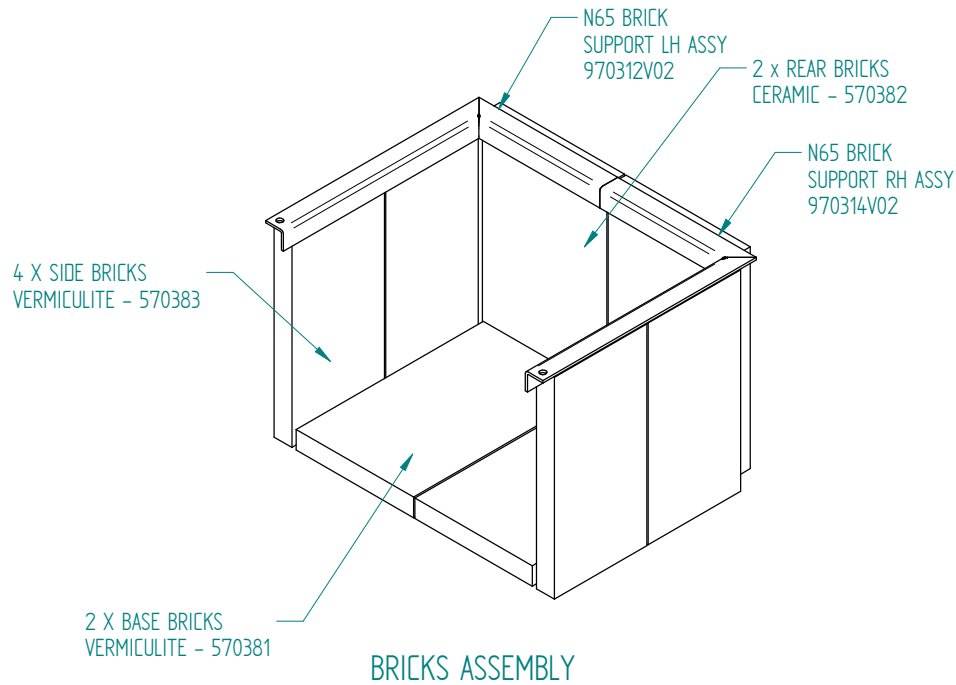
PART NUMBER : 570436

REVISION LEVEL : A

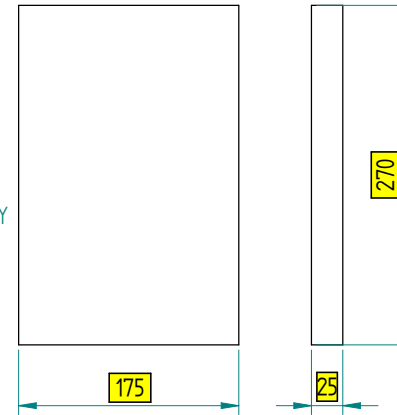
Amendment	Date	By

TOLERANCES :
 Decimal Places: 0 ± 2.0
 0.0 ± 0.5
 Angles Degrees: 0 ± 5°

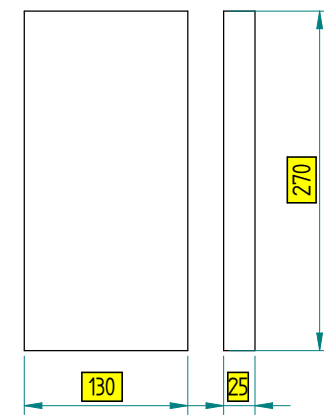
N65 - BRICK DETAILS



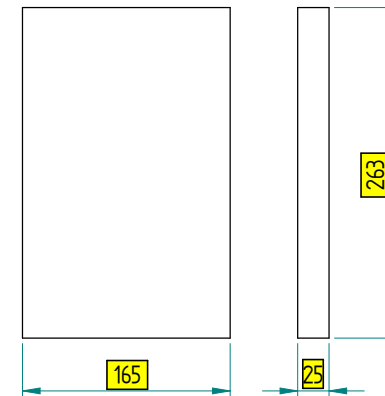
**REAR BRICK
570382**



**SIDE BRICK
570383**



**BASE BRICK
570381**



NOTE : ALL BRICK SIZES ±3 mm

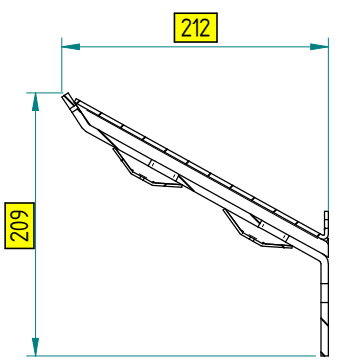
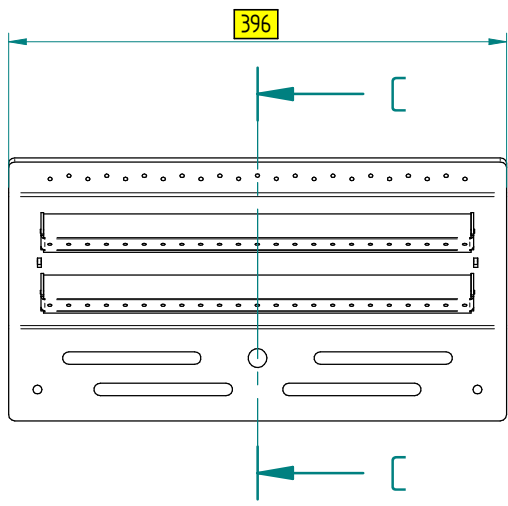
This drawing is the Property of GLEN DIMPLEX NEW ZEALAND LTD. All dimensions are outside/outside unless otherwise stated.

MAIN BAFFLE ASSEMBLY
SPARE PART ID - 770313

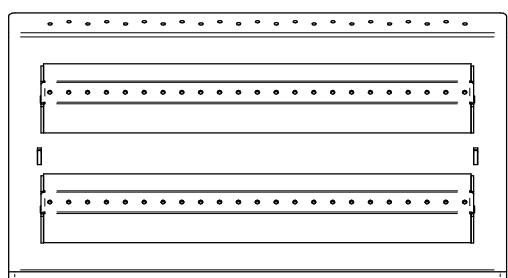
INSULATING BLANKET
305x220x25MM THICK
970379 - ON TOP OF
THE MAIN BAFFLE

N65 MAIN BAFFLE
ASSEMBLY - 970313V02

3 x 521837 - M8x16
FROM REAR OF THE
N65 FIRE BOX
BUTTON ALLEN SCREW



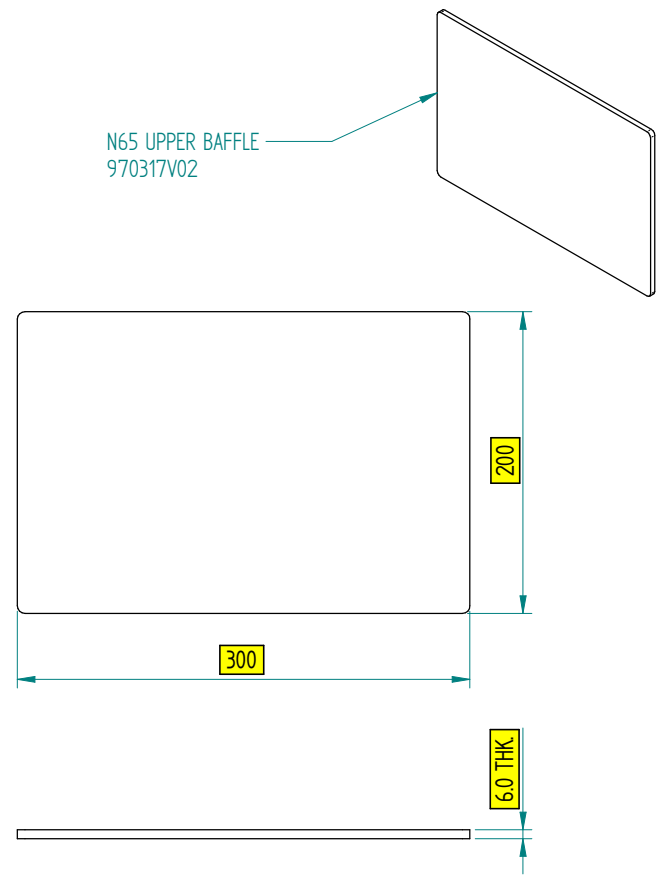
SECTION C-C



PART NUMBER : 570436			REVISION LEVEL : A
Amendment	Date	By	TOLERANCES : Decimal Places: 0 ± 2.0 0.0 ± 0.5 Angles Degrees: 0 ± 5°

UPPER BAFFLE PLATE
SPARE PART ID - 770317

N65 UPPER BAFFLE
970317V02



GLEN DIMPLEX NEW ZEALAND LTD
38 HARRIS ROAD, EAST TAMAKI, AUCKLAND, NEW ZEALAND
Ph 09 274 8265, Fax 09 274 8472, Email : Eng_Office@glendimplex.co.nz

Customer : GDNZ	Drawing No : 570436	Drawn : sarawan.ku	Date : 21/06/2019	Chk'd By : PS
Part Name : N65-NZ/ US/ 2019 BRICK BAFFLE LAYOUT		Modified : prakasht	Date : 23/07/2020	
		Material :		Finish :