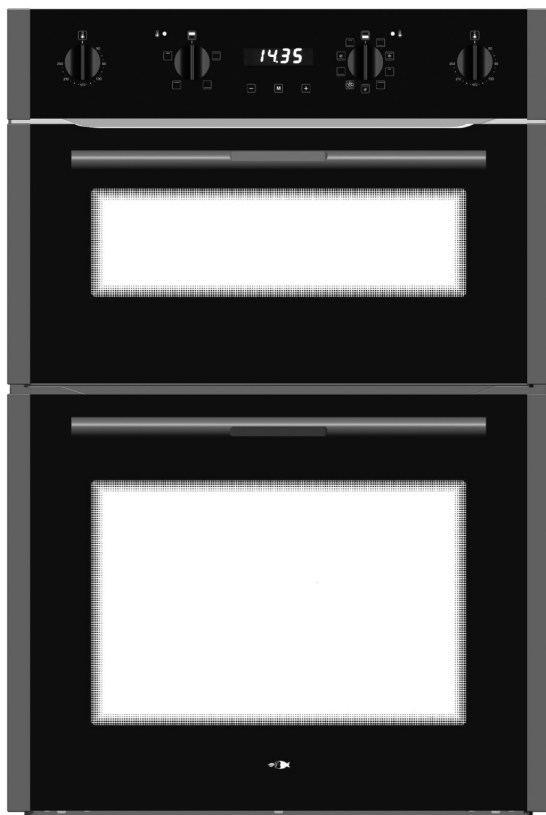


Installation and Instructions for Use

B0D69S



Baumatic

SAFETY INSTRUCTIONS

Read this Instruction Manual carefully to obtain the best performance from your oven. Keep this manual so that it can be read by a new owner.

Electrical Safety

- To connect the oven to the power supply, the technician should use an T150 power cable. The connection diagram is shown in Figure 19.
- The oven should always have a good earth connection in line with current regulations.
- Connection must be made by means of an omnipolar switch that is suitable for the current drawn and with a minimum aperture between contacts of 3 mm for disconnection in case of emergency, cleaning or bulb changing. Under no circumstances must the earth wire pass through this switch.
- This switch may be replaced by a plug, provided it is accessible for normal use.
- If the supply cord is damaged, it must be replaced by the manufacturer, its service agent or similarly qualified persons in order to avoid a hazard.
- Any handling or repair to the appliance, including replacement of the power cable, should be carried out by authorised Technical Service Personnel using original spare parts. Repairs or handling by others may damage the appliance or cause malfunctioning that could be hazardous to your safety.
- Unplug your oven if it malfunctions.

- In ovens combined with hobs, only those recommended by the manufacturer may be fitted.

Child Safety

During use, the appliance becomes hot. Care should be taken to avoid touching heating elements inside the oven.

WARNING: Accessible parts may become hot during use. To avoid burns, young children should be kept away. Accessible parts may become hot when the grill is in use. Children should be kept away.

WARNING: This appliance is not intended for use by persons (including children) with reduced physical, sensory or mental capabilities, or lack of experience and knowledge, unless they have been given supervision or instruction concerning use of the appliance by a person responsible for their safety. Children should be supervised to ensure that they do not play with the appliance.

Safety in the use of the oven

- The oven must always be operated with the door closed.
- Only use the oven after it has been installed inside the kitchen unit (See Installing the Oven).
- The tray and grill have a system for easy part removal and handling of food.
- The oven heats up when in use, so please use oven gloves when performing operations inside the oven and avoid touching the heating elements.



- Only use the temperature probe supplied to measure the temperature inside the oven (in models that come with this feature).

Cleaning and Maintenance

- Disconnect the appliance from the mains power supply before any operation.
- Do not use abrasive cleaning products, or steam or pressurised water cleaning equipment.
- Cleaning and maintenance tasks to be carried out by the user should not be done by children without supervision.
- Before replacing a bulb, first make sure that the oven has been disconnected from the mains to avoid the possibility of receiving an electric shock.

Before First Use

There may be traces of grease and other substances in the oven as a result of its manufacturing process. These should be removed by means of the following procedure:


- Remove all of the packaging from your oven, including the protective plastic, if any.
- Turn the oven to setting  , or else place it on the defect setting  , at 200°C, for 1 hour. Consult the Quick Start Guide accompanying this manual on how to do this.
- Cool the oven with the door open so that it ventilates and no odours remain inside it.
- Once cold, clean the oven and accessories.

During this first operation, smoke and smells will be produced. The kitchen should therefore be well ventilated.

Environmentally Friendly Packaging

The packaging is made from totally recyclable materials which can be put to other uses. Consult your local council regarding the necessary procedures for disposing of these materials.

CAUTION

The  symbol on the product or packaging indicates that this appliance cannot be disposed of as normal household waste. It should be taken to an electrical and electronic equipment collection point for recycling. In this way, any negative consequences for the environment and public health from incorrect handling can be avoided. Contact your local council, household waste disposal service or the establishment you bought the product from for more information on recycling the appliance.

Other important instructions

- The oven must always be operated with the door closed.
- The manufacturer takes no responsibility for any use of the oven other than for the home preparation of food.
- Do not store oil, fats or inflammable materials inside the oven. This may be dangerous if the oven is turned on.
- Do not lean or sit on the open oven door. You could damage it, as well as endanger your own safety.
- Do not cover the bottom of the oven with aluminium foil as this may affect cooking performance and damage the enamel inside the oven and the interior of your kitchen unit.
- To cook any food, insert the tray or grill in the side rails in the oven.
- Do not place containers or food on the bottom surface of the oven. Always use the trays and grill.
- Do not pour water on the bottom surface of the oven when in use; this may damage the enamel.
- Open the oven door as little as possible during cooking. This will reduce power consumption.
- It is normal for condensation to occur on the oven door when cooking dishes with a high liquid content.
- Clean the oven interior to remove traces of grease or food, which could later give off smoke and odours and cause stains to appear.

Cleaning and Maintenance

Caution:

Disconnect the appliance from mains power supply before any operation.

Cleaning the Oven Interior

1 Easy-to-clean enamel ovens

Use nylon brushes or sponges with warm soapy water to clean enamelled surfaces such as the bottom of the oven. Clean when the oven is cold. Use oven-cleaning products only on enamelled surfaces and always follow the manufacturer's instructions.

2 Ovens coated in special enamel adapted to other cleaning systems

Please consult the Specifications Sheet for your oven.

Caution

Do not clean the oven interior with steam or pressurised water cleaning equipment. Do not use metal scouring pads, wire brushes or any utensil that can scratch the enamel.

- Other oven models have a catalytic (self-cleaning) cleaning system. This system removes small traces of grease while cooking at high temperatures.

Use of Fold-down Grill (depending on Model)

To clean the top part of the oven:

- Wait until the oven is cold.
- Turn the screw (A) and lower the grill element as far as possible. Figure 1
- In other oven models, push the rod of the grill element (B) with both hands until it is released from the upper fastening point. Figure 2
- Turn the element round and clean the upper part of the oven.
- Finally, return the grill element to its original position.

Cleaning the Oven Exterior and Accessories

Clean the outside of the oven and accessories with warm soapy water or with a mild detergent.

Take great care when cleaning stainless steel surfaces. Use only sponges or cloths that do not scratch.

Cleaning the Oven Door

Do not use metal scouring pads, wire brushes or commercially available or abrasive powder cleansers to clean the oven door as they could scratch the surface and cause the glass to break.

In some oven models the door may be removed to make them easier to clean, by proceeding as follows:

- 1 Open the door.
- 2 Turn the two clamps (F) right round. Figure 6
- 3 Close the door until it fits in the two clamps. Figure 7
- 4 Holding the door at the sides with both hands, raise and remove the door from the oven until the hinges (G) have been completely removed. Figure 8

To mount the door, proceed in reverse order.

For other oven models, follow these instructions:

- 1 Open the oven door completely.
- 2 Insert the safety pins in the visible slots in the door hinges. Figure 9
- 3 Hold the door at the sides with both hands and close it almost completely.
- 4 Now lift the door and remove the hinges from the slots in the front of the oven by pulling them out. Figure 8

Caution

Do not remove the safety pins at any time since the hinge is taut and may cause injury. It would also be impossible to mount the door without the pins being in place.

To mount the door, hold it with both hands and insert the hinges in the appropriate openings in the front of the oven. Slowly open the door until it is fully open.

Cleaning the Large Inner Glass Door

Instructions for Removing / Replacing Inner Glass

- 1 Open the oven door.
- 2 Pull the glass outwards by the bottom (H). Figure 10
- 3 The inside glass will become loose. Remove it.

Caution

Be very careful when removing the inner glass, as the oven door will close.

- 4 Clean the inner glass and the inner surface of the oven door.
- 5 Return the glass supports to the upper door slots (I). Figure 11
- 6 Turn the glass towards the door (K).
- 7 Attach the glass to the door again by pushing the two lower supports (L) with both hands while pushing the glass towards the door (M). Figure 12

Warning

If the door has not been blocked with the clamp (N), please take care when removing the inside glass panels as the oven door will close.

- 6 Once clean, return the glass panels in the same order so that the word **TERMOGLASS** can be read.
- 7 Replace the upper clasp of the door, making sure that the side tabs fit in point 1.

Changing the Oven Light bulb

Caution

First make sure the oven is unplugged before proceeding to change the bulb.

Warning

Ensure that the appliance is switched off before replacing the lamp to avoid the possibility of electric shock.

- Unscrew the bulb-holder glass cover.
- Replace the bulb and reassemble the glass cover.

The replacement bulb must be resistant to temperatures up to 300°C. You can order one from the Technical Assistance Service. Figure 16

For other oven models, follow these instructions:

- Loosen the lens from the lampholder with the help of the appropriate tool. Fig 17
- Exchange the bulb.
- Replace the lens, making sure it fits in the correct position without forcing it. Fig 18

If Something Goes Wrong

Technical Specifications

The oven stops working
Check the power connection. Check the fuses and the circuit breaker for your installation. Make sure the timer is either in the manual or programmed setting. Check the position of the function and temperature setting.
The light inside the oven does not go on
Change the bulb. Check that it has been properly inserted according to the Instruction Manual.
The heating pilot light does not turn on
Select a temperature. Select a function. It should only come on while the oven is heating up to the temperature selected.
Oven smoking during use
Normal during first use. Clean the oven regularly. Reduce the amount of grease or oil in the tray. Do not use temperatures higher than those indicated in the cooking chart.
The expected cooking results are not achieved
Check the cooking chart for guidance on how your oven operates.

If the appliance does not work, inform Technical Service of the kind of problem you are experiencing and give the:

- 1 Serial Number (S-No)
- 2 Model of Appliance (Mod.)

You will find this information engraved on the identification plate. This plate is on the bottom of the oven and can be seen when opening the door.

Installation

This information is exclusively for the installer, who is responsible for the oven's assembly and electrical connection. If you install the oven yourself, the manufacturer will not accept liability for possible damage.

Prior to Installation

Please refer to electrical safety instructions on page 3 of this manual before installation.

- The opening in the kitchen unit must be that indicated on the diagram. The minimum size of the unit base must be 580 mm. (See Figures 16, 17, 18 and 20).
- The adhesive used in the plastic lining the kitchen units must be able to withstand temperatures over 85°C.

Caution

If these problems persist despite these tips, contact Technical Service.

Electrical Connection

The installer must ensure that:

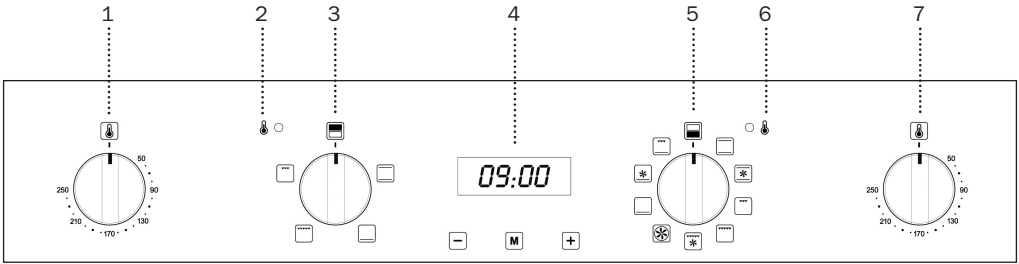
- The mains power voltage and frequency correspond to what is marked on the identification plate.
- The wiring system can withstand the maximum power marked on the identification plate.
- After connecting the power, check that all electrical parts of the oven are working correctly.
- Disconnection from the electrical supply must be allowed after the oven is in the installed position.

Oven Installation

For all ovens. after the power has been connected:

- 1** Position the oven inside the unit and ensure that the power cable is not trapped or in contact with parts of the oven that heat up.
- 2** Anchor the oven to the unit with the screws supplied, screwing them into the unit through the holes that can be seen when the door is open.
- 3** Make sure that the body of the oven is not in contact with the walls of the unit and that there is a separation of at least 2 mm with the adjacent units.

Control Panel



Top cavity

- 1 Temperature selector.
- 2 Heating indicator light. Indicates that the heat is going to the food and it goes out when the set temperature is reached. The light will cycle on and off during cooking.
- 3 Function selector.

Main cavity

- 4 Electronic clock.
- 5 Function selector.
- 6 Heating indicator light. The light will cycle on and off during cooking.
- 7 Temperature selector.

Oven Functions

Top cavity: / / / /

Main cavity: / / / / / / / / /

Switch off oven

Conventional

It is used for sponges and cakes where the heat received must be uniform to achieve a spongy texture.

Conventional with fan

Appropriate for roasts and cakes. The fan spreads the heat uniformly inside the oven.

Lower Element

Heats only from beneath. Suitable for heating dishes and raising pastry and similar.

Lower element with fan

It distributes the heat from the lower part of the oven and is ideal for cakes with jam or fruit filling, which only require heating from beneath. Pre-heating is always necessary.

MaxiGrill

For grilling larger quantities of food than the standard grill. The higher power output also reduces the time required to brown the food.

Grill

For preparing dishes with superficial roasting. It allows the outer layer to be browned without affecting the inside of the food. Ideal for flat food, such as steaks, ribs, fish, toast.

MaxiGrill with fan

Allows uniform roasting at the same time as surface browning. Ideal for grills. Special for large volume pieces, such as poultry game etc. It is recommended to put the item on a rack with a tray beneath to collect the stock and juices.

Caution

While using the Grill, MaxiGrill or MaxiGrill with fan, the door must be kept closed.

Grill and Lower element

Special for roasts. It can be used for any piece, whatever its size.

Turbo


The fan distributes the heat produced by an element located at the rear of the oven. Due to the uniform heat distribution, it allows roasting and baking to take place on two levels at the same time.

Note

The pilot light remains on in any cooking function.

Use of the Oven


Setting the Electronic Clock

When you switch on the oven, you will notice that the word AUTO will flash on the display with 00:00. Press the + and – symbols until you hear a beep and see a dot flashing between the digits of the clock. Then set the clock time by pressing on the + or – symbols. You will hear a beep to confirm that the time has been set. The  symbol will remain lit.

Should you wish to change the time, follow these instructions again.

Manual Operation

After setting the clock, the oven is ready for use. Select a cooking temperature and function by pressing and turning the oven controls.

To turn off the oven, set the controls to .

Electronic Clock Functions

Timer Alarm: An audible signal is produced at the programmed time, even if the oven is not being used.

Cooking Time: This function allows you to programme cooking time length, after which the oven will turn off automatically.





Cooking Stop Time: This function allows you to programme the time for cooking to stop, after which the oven will turn off automatically.


Cooking Time and Cooking Stop Time: This function allows both cooking time length and the stop time to be programmed. The oven switches on automatically at the set time and operates for the cooking time it has been programmed for. It switches itself off automatically at the entered stop time.

Changing the Clock Alarm Tone

- 1 Press + and - at the same time. You will notice a dot light up between the + and – symbols on the clock display.
- 2 Press MODE and you will see “ton1” light up on the clock display.
- 3 The alarm tone can be changed by repeatedly pressing on the - symbol.

Programming the Timer Alarm

- 1 Press on MODE. The  symbol will flash on the clock display.
- 2 Select the length of time after which you want the alarm to sound by pressing on + or -.
- 3 The alarm will be confirmed by two consecutive beeps and the display will show the current time. The  symbol will remain lit.
- 4 At the programmed time, the alarm will sound and the  symbol will begin to flash.
- 5 Press on any symbol to turn off the alarm. The  symbol will continue to flash.
- 6 Keep pressing MODE until the function is switched off.

You can see how much time is left at any time by pressing MODE until the  symbol flashes. You can then change the selected time by pressing + or -. The beep you hear will confirm the new time has been set.

Programming Cooking Time

- 1 Press MODE until you hear a beep. Press MODE again and the word “dur” will appear on the clock display.
- 2 Select the cooking time by pressing + or -.
- 3 You will then hear a beep and the present time and the word “AUTO” will light up to show that the oven will switch off automatically.

- 4 Select a cooking function and temperature.
- 5 When the set cooking time is over, the oven will turn off and an alarm will sound.
- 6 Press any symbol to turn off the alarm. The oven will remain off and AUTO will continue to flash.
- 7 Keep pressing on MODE until you hear a beep to show the function is now off. Then set the controls to to switch off the oven.

You can see how much time is left and change the remaining cooking time. Follow the previous instructions.

To cancel this function, just press + and - at the same time.

Programming the Cooking Stop Time


- 1 Press MODE until you hear a beep. Then press MODE until the word “End” appears on the clock display.
- 2 Select the cooking stop time by pressing + or -.
- 3 You will then hear a beep and the present time and the word “AUTO” will light up to show that the oven will switch off automatically.
- 4 Select a cooking function and temperature.
- 5 When it is the time for cooking to stop, the oven will switch off and an alarm will sound.
- 6 Press any symbol to turn of the alarm. The oven will remain off and AUTO will continue to flash.
- 7 Keep pressing on MODE until you hear a beep to show the function is now off. Then set the controls to to switch off the oven.

You can use this function even if you are cooking with the oven. If this is the case, follow all of the above instructions except No. 4.

You can see the stop cooking time at any time by following instruction No. 1.

Programming Cooking Time and Cooking Stop Time

- 1 Press MODE until you hear a beep. If you press MODE again, the word “dur” will appear on the clock display.
- 2 Select the cooking time by pressing + or -.
- 3 A beep will then sound and the present time and AUTO will show.

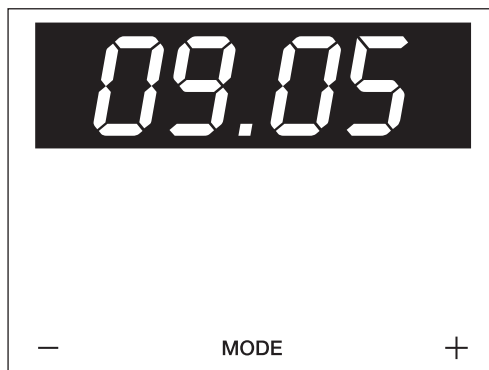
- 4 Press MODE until you hear a beep. Then press MODE until the word “End” appears on the clock display.
- 5 Select the stop cooking time by pressing + or -.
- 6 A beep will then sound and the present time and AUTO will show.
- 7 Select a cooking function and temperature.
- 8 The oven will remain off with AUTO on the clock display. The oven is now programmed.
- 9 When it is the time for cooking to start, the oven will switch on and cooking will continue for the selected time. The symbols AUTO and  will light up on the clock display.
- 10 When the programmed time is reach, the oven will switch itself off and an alarm will sound.
- 11 Press any symbol to stop the alarm. The oven will remain off and AUTO will continue to flash.
- 12 Press MODE until you hear a beep in order to switch off the function. Then set the controls to to switch off the oven.

You can see the state of the timer at any time by following instructions 1 and 4.

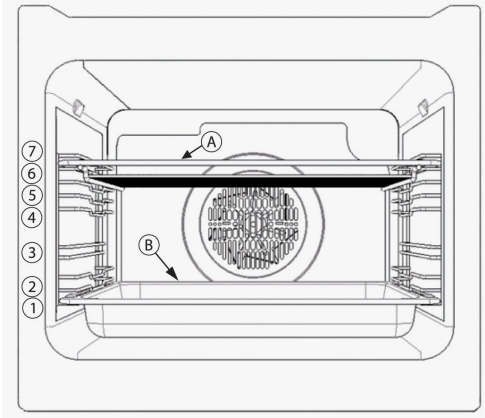
If you wish to modify the timer setting, you must cancel the function by pressing + and - at the same time. Re-programme the oven by following the instructions given.

Caution

In the event of power failure, your electronic clock timer settings will be erased and 00:00 will flash on the display. Reset the clock and programme again.



Shelf positions



Your oven will come supplied with the following oven furniture:

(A) Oven shelf

(B) Enamelled deep tray

The numbers 1 – 7, indicate the different shelf positions that you can utilise within the oven.

(Image for reference only – actual product may differ slightly)

You should use the shelf position(s) that you find are best suited to your personal cooking preferences.

Insert the oven shelf and deep tray between the 2 side rails at any position (1 to 7) on both sides. The oven shelf has safety stops to prevent accidental withdraw. After engaging the oven shelf into the side rails, as you push the oven shelf into the oven, lift the front of the shelf slightly to bypass the stops and allow the oven shelf to slide fully into the rails.

To remove the oven shelf, gently pull the oven shelf outwards. When the shelf stops, lift the front slightly to bypass the safety stops and then completely withdraw the oven shelf from the oven.

When installed correctly, the shelf and tray should be horizontal and not on an angle.

Figures

Fig 1

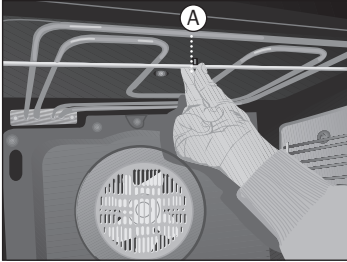


Fig 2

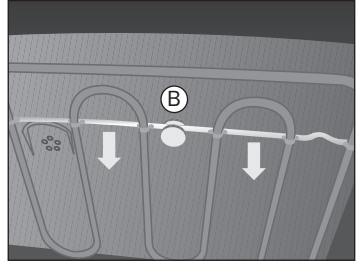


Fig 3

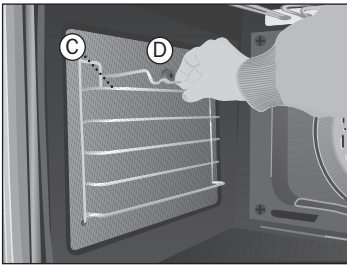


Fig 4

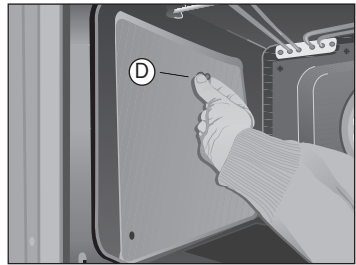


Fig 5

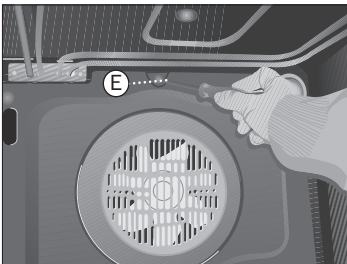


Fig 6

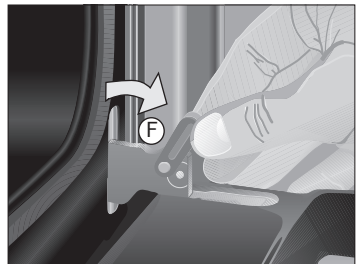


Fig 7

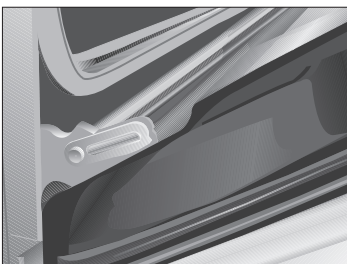


Fig 8

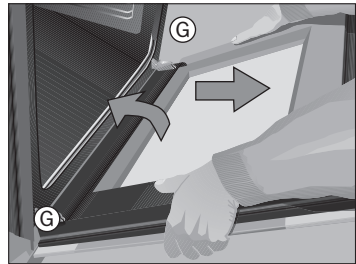


Fig 9

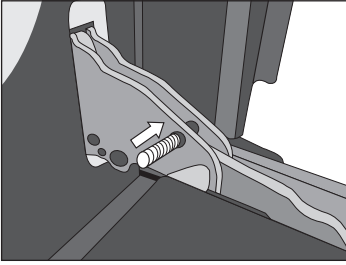


Fig 10

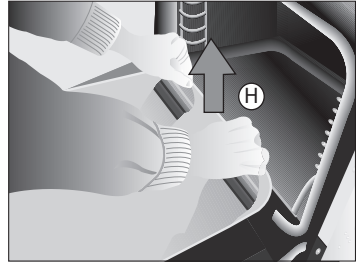


Fig 11

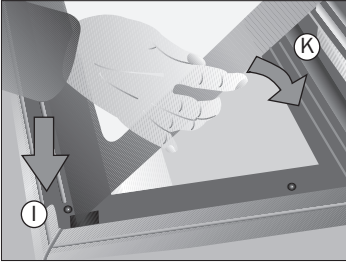


Fig 12

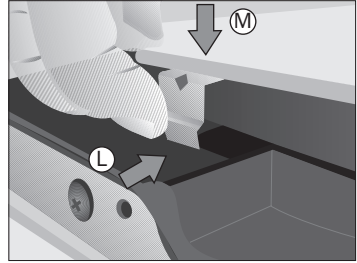


Fig 13

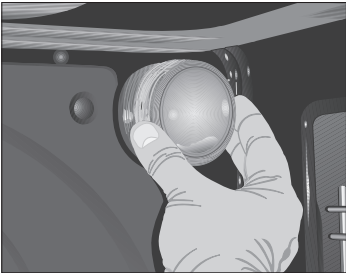


Fig 14

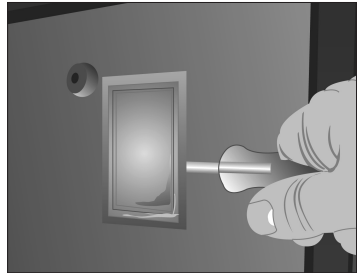
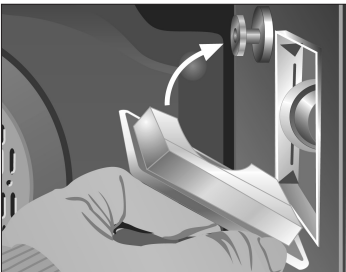


Fig 15



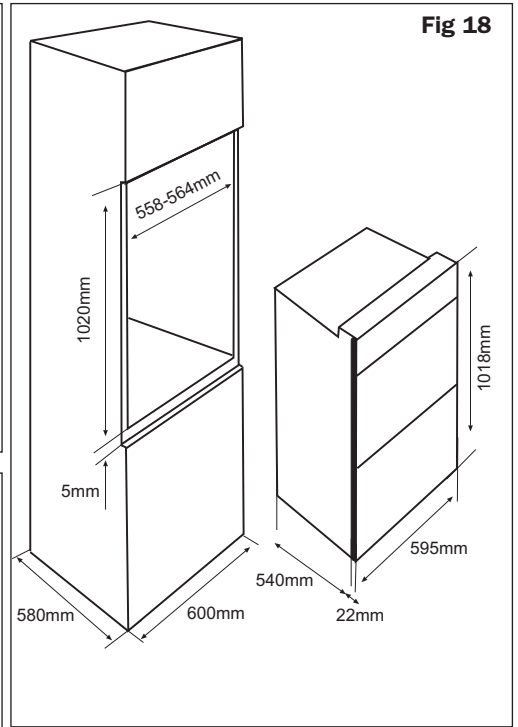
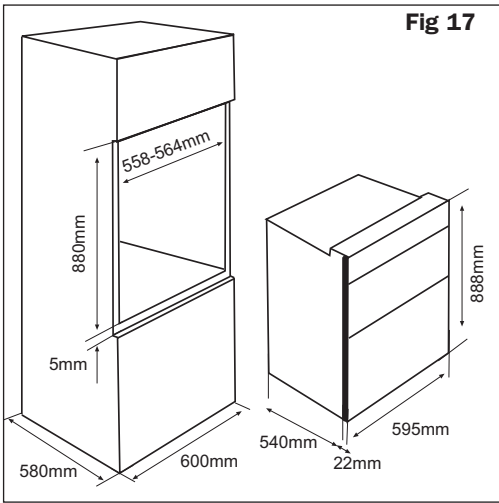
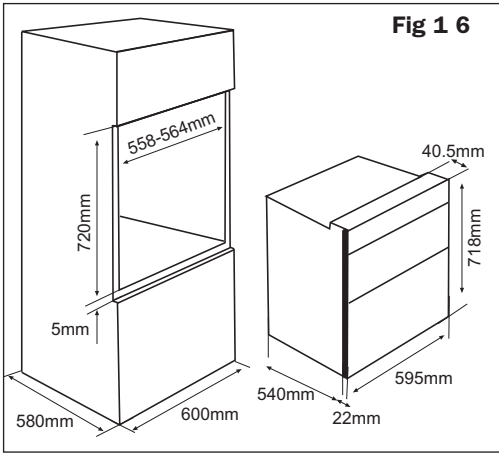
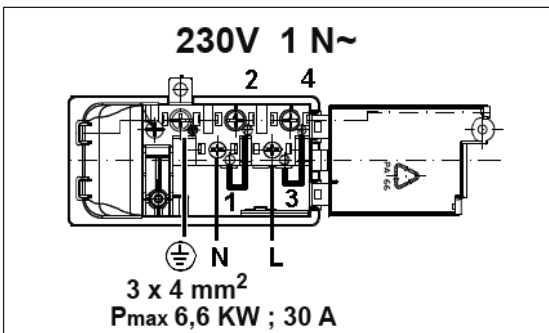


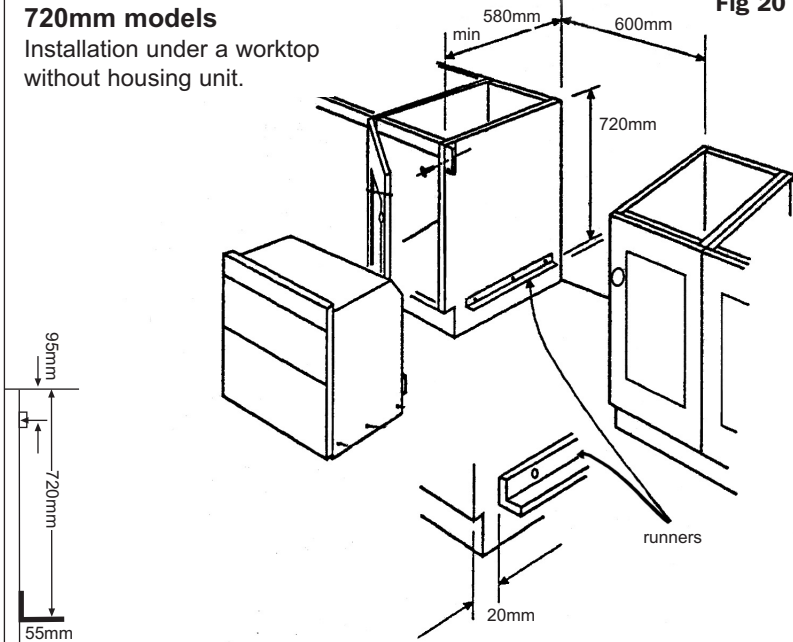
Fig 19



720mm models

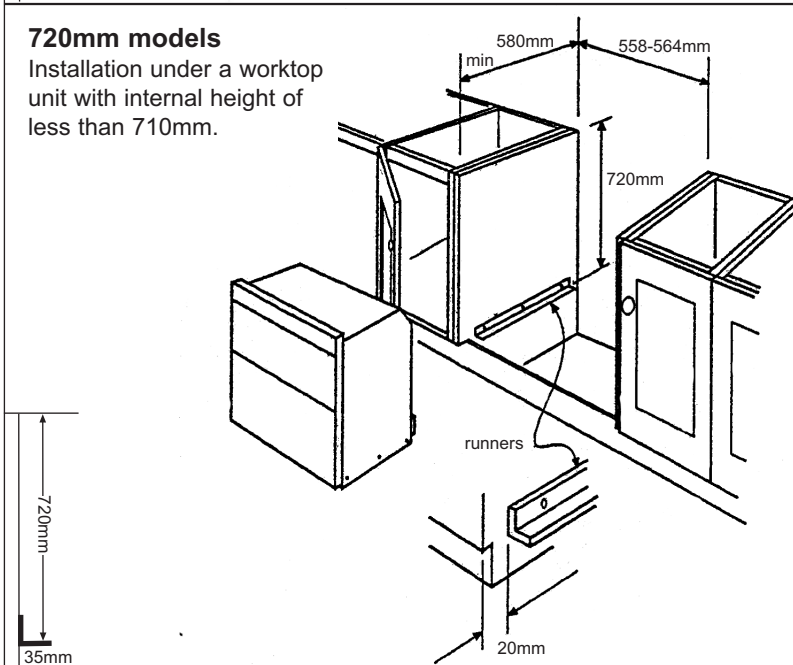
Installation under a worktop without housing unit.

Fig 20



720mm models

Installation under a worktop unit with internal height of less than 710mm.





(AUS)

Think Appliances Pty Ltd.

416-424 Barry Rd
Coolaroo VIC 3048

Sales Telephone

1300 132 824

Service Telephone

1800 444 357

Website

www.thinkappliances.com

(NZ)

Applico Ltd.

Private Bag 92900
Onehunga, Auckland,
New Zealand 1061

Website

www.baumatic.co.nz

(UK)

United Kingdom

Baumatic Ltd.,
Baumatic Buildings,
6 Bennet Road,
Reading, Berkshire
RG2 0QX
United Kingdom

Sales Telephone

(0118) 933 6900

Website

www.baumatic.co.uk

Our contribution to environmental protection: we use recycled paper.
Cod.: 3172709-000

