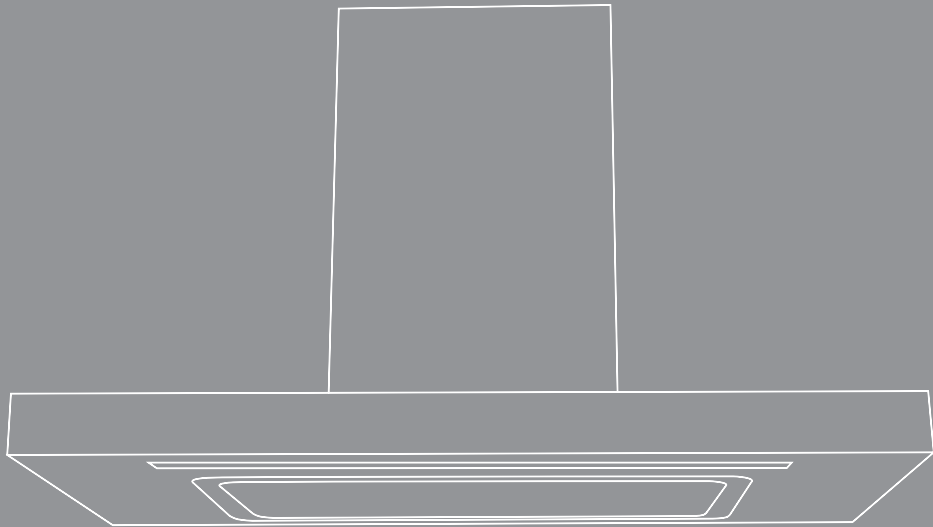


# Euromaid

## User Manual

### Off Board Flat Canopy Rangehood

INLCP92BG - HOOD  
INLEM3 / INLRCM3 - MOTOR



## Content

1.....	Safety instructions
2.....	Installation
3.....	Start using your Rangehood
4.....	Troubleshooting
5.....	Maintenance and cleaning
6.....	Environment protection

### **SAFETY INSTRUCTIONS**

This manual explains the proper installation and use of your Rangehood, please read it carefully before using even if you are familiar with the product. The manual should be kept in a safe place for future reference.

These instructions shall also be available in an alternative format, e.g. on a website or on request from the user in spec sheet format.

### Things not to do:

- Do not try to use the Rangehood without the grease filters or if the filters are excessively greasy!
- Do not install above a cooker with a high level grill.
- Do not leave frying pans unattended during use because overheated fats or oils might catch fire.
- Never leave naked flames under the Rangehood.



- If the Rangehood is damaged, do not attempt to use.
- Do not flambé under the Rangehood.
- CAUTION: Accessible parts may become hot when used with cooking appliances.
- The minimum distance between the supporting surface for the cooking vessels on the hob and the lowest part of the Rangehood. (When the Rangehood is located above a gas appliance, this distance shall be at least 75 cm)
- The air must not be discharged into a flue that is used for exhausting fumes from appliances burning gas or other fuels.



### Things to always do:

- Important! Always switch off the electricity supply at the mains during installation and maintenance such as light bulb replacement.
- The Rangehood must be installed in accordance with the installation

instructions and all measurements followed.

- All installation work must be carried out by a competent person or qualified electrician.
- Please dispose of the packing material carefully. Children are vulnerable to it.
- Pay attention to the sharp edges inside the Rangehood especially during installation and cleaning.
- When the Rangehood is located above a gas appliance, the minimum distance between the supporting surface for the cooking vessels on the hob and the lowest part of the Rangehood that distance must be:  
Gas cookers: 75 cm  
Electric cookers: 65 cm  
Coal or oil cookers: 75 cm
- Make sure the ducting has no bends sharper than 90 degrees as this will reduce the efficiency of the Rangehood.
- Warning: Failure to install the screws or fixing device in accordance with these instructions may result in electrical hazards
- Warning: Before obtaining access to terminals, all supply circuits must be disconnected.

### Things to always do:

- Always put lids on pots and pans when cooking on a gas cooker.
- When in extraction mode, air in the room is being removed by the Rangehood. Please make sure that proper ventilation measures are being observed. The Rangehood removes odours from room but not steam.

- Rangehood is for domestic use only.



- If the supply cord is damaged, it must be replaced by the manufacturer, its service agent or similarly qualified persons in order to avoid a hazard.
  - This appliance is not intended for use by persons (including children) with reduced physical, sensory or mental capabilities, or lack of experience and knowledge, unless they have been given supervision or instruction concerning use of the appliance by a person responsible for their safety.



- **Warning:** Before obtaining access to terminals, all supply circuits must be disconnected.

**Things to always do:**

- **Caution:** The appliance and its accessible parts can become hot

during operation. Be careful to avoid touching the heating elements.

Children younger than 8 years old should stay away unless they are under permanent supervision.

- There shall be adequate ventilation of the room when the Rangehood is used at the same time as appliances burning gas or other fuels.
- There is a fire risk if cleaning is not carried out in accordance with the instructions
- Regulations concerning the discharge of air have to be fulfilled.
- Clean your appliance periodically by following the method given in the chapter MAINTENANCE.
- For safety reason, please use only the same size of fixing or mounting screw which are recommended in this instruction manual.
- Regarding the details about the method and frequency of cleaning, please refer to maintenance and cleaning section in the instruction manual.
- Cleaning and user maintenance shall not be made by children without supervision.
- When the Rangehood and appliances supplied with energy other than electricity are simultaneously in operation, the negative pressure in the room must not exceed 4 Pa (4 x 10<sup>-5</sup> bar).
- **WARNING:** Danger of fire: do not store items on the cooking surfaces.
- A steam cleaner is not to be used.
- **NEVER** try to extinguish a fire with water, but switch off the appliance and then cover flame e.g. with a lid or a fire blanket.

## **IMPORTANT INFORMATION**

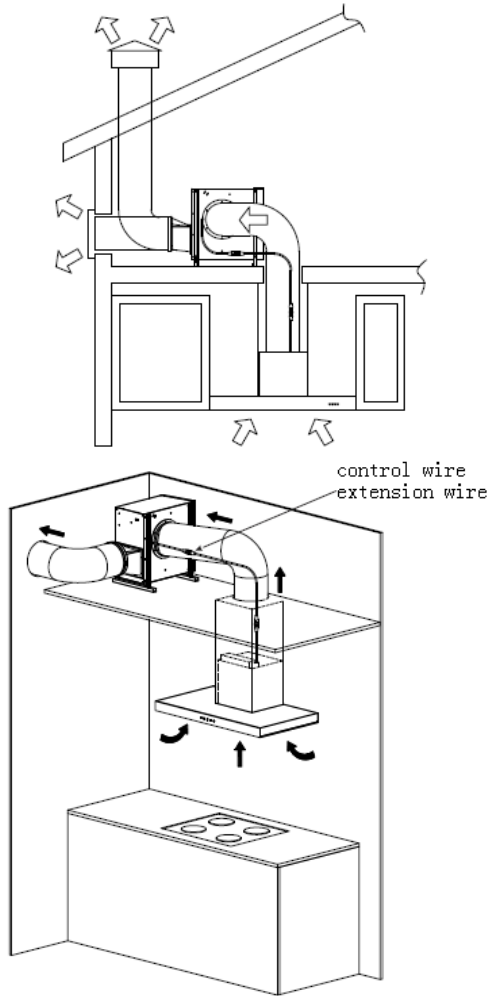
### **Points to consider for installation**

1. Before installation, please ensure the area is clean to avoid suction of the remaining bits of debris and dust.
2. Please ensure that the fan motor is firmly secured to either a flat surface such as an MDF panel affixed across the ceiling rafters, or fixed to the ceiling rafters themselves. Ensure the fan motor is level and there is no vibration when in use.
3. The location of the fan unit shall allow access for maintenance and repair. Permanent fixed means of access is required where the fan unit location is beyond the extent of normal steps or ladders.
4. After installation, make sure that the main body is level to avoid grease collection at one end.
5. Please note the dimensions of the fan motor for installation purposes.
6. The fan motor should be secured using the supplied brackets and screws.

## INSTALLATION - ROOF CAVITY MOTOR VERSION

### **Schematic diagram**

1. Connect the Rangehood main body with the external cabinet by control wire, to achieve power on and off, and also speed switching.
2. The control wire is separated into 3 parts, the first two parts are fixed onto the main body and external cabinet, while the middle part is extension wire.
3. The Rangehood main body and the external cabinet will exhaust the smoke to outdoor after installing the expansion pipe.

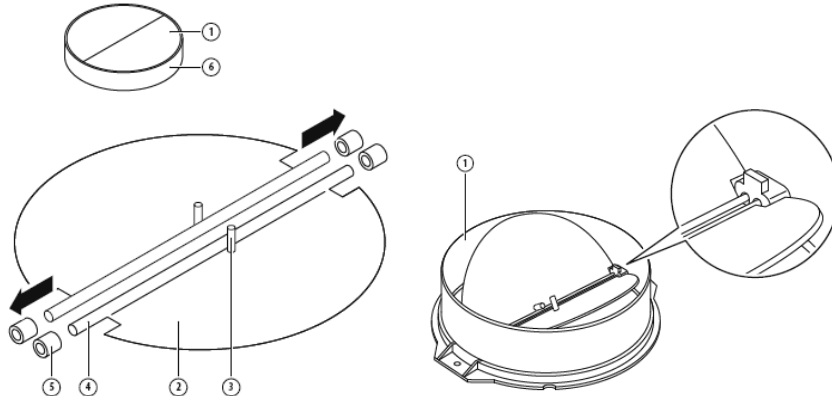


### MOUNTING OF THE V-FLAP

If the Rangehood does not have an assembled V-flap 1, you should mount the half-parts to its body. The images only show an example of how to mount the V-flap, the outlet may be various according to different models and configuration.

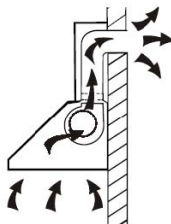
To mount the V-flap 1 you should:

- Mount two half-parts 2 into the body 6
- a pin 3 should be top oriented;
- the axis 4 should be inserted in the holes 5 on body;
- repeat all the operations for the 2nd half-part

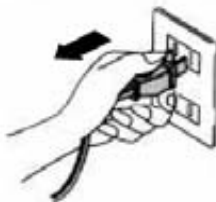


### INSTALLATION

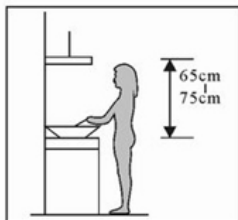
If you have an outlet to the outside, your Rangehood can be connected as below picture by means of an extraction duct (enamel, aluminium, flexible pipe or non-flammable material with an interior diameter of 220mm)



1. Before installation, turn the unit off and unplug it from the outlet.

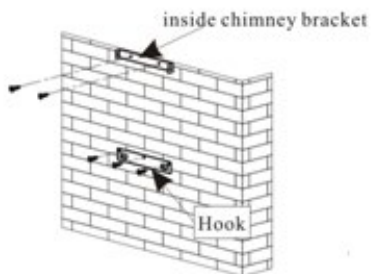


2. The Rangehood should be placed at a distance of 65~75cm above the cooking surface for best effect.



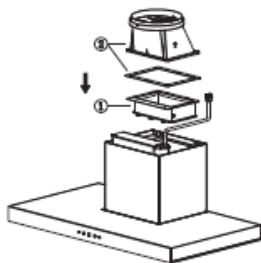
Pic1

3. Install the hook on a suitable place once the installation height is fixed, and keep it in line. The fixed position of the inside chimney bracket is the place of chimney. See pic 2.

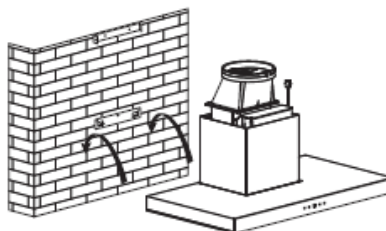


Pic.2

4. 1) Equip the outlet connecting cover onto the cabinet top, and screw 6 pcs 4\*8mm screws to fix it.  
2) Install the outlet seal ring and outlet, and fix them with 8 pcs 4\*14mm screws, see pic 3. Then hang the hood on the hook. See pic 4.

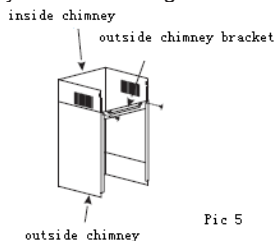


Pic 3

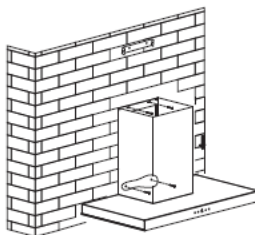


Pic 4

- Fix the outside chimney bracket on the outside chimney by 2 pcs 4\*8mm screws, and be sure that the inside chimney can be adjusted the height in it freely, put the chimneys onto the Rangehood. See pic 5.

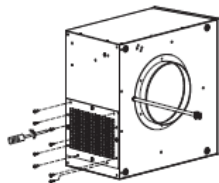


Pic 5

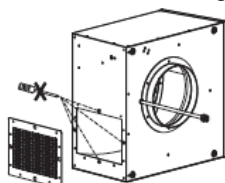


Pic 6

- Equip the chimneys, fix the outside chimney bracket with 2 pcs 4\*40mm screws, and use 2 pcs 4\*30mm screws to fix the hood body. See pic 6.
- Unscrew the 8 pcs ST4\*14mm screws, and dismantle the outlet mesh cover, see pic 7. Note: There is no need to unscrew the 4 screws showing on pic 8.

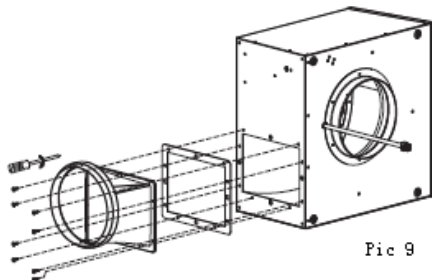


Pic 7

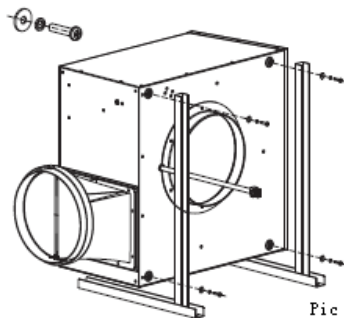


Pic 8

- Install the outlet seal ring and outlet, using the 8 pcs ST4\*14mm screws in step 7 to fix them. See pic 9.
- Install case installation bracket, and fix with 4 pcs M4 screws, spring washers and gaskets. See pic 10.

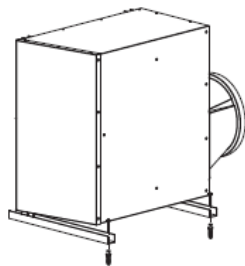


Pic 9

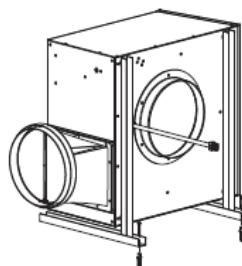


Pic 10

10. Screw 4 pcs 4\*30mm screws to fix the external cabinet onto the ceiling. See pic 11 & 12.

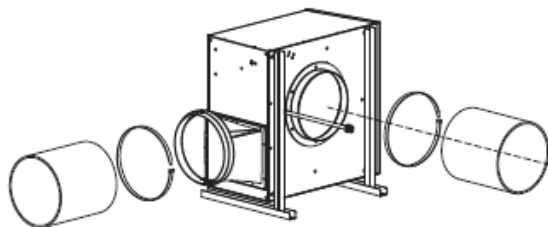


Pic 11



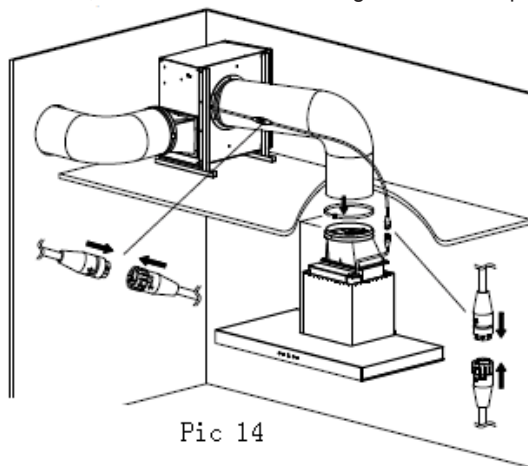
Pic 12

11. Install the expansion pipe and fix it with cable tie. See pic 13.



Pic 13

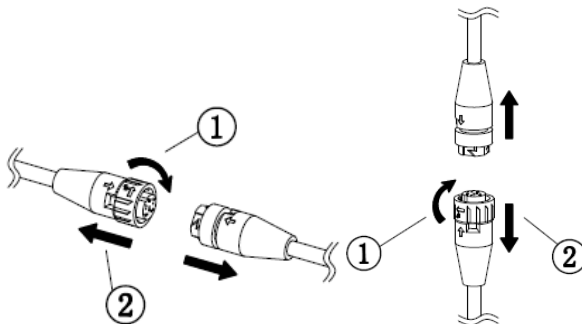
12. Equip the expansion pipe to the outlet, and fix with cable tie. Lead one end of the expansion pipe which install on the external cabinet outlet to the outside. Both end of the motor extension wire should connect with the external cabinet control wire and the control wire of the main body top. The plastic base of the control wire should be plugged to the bottom, and make the buckle to tight status. See pic 14.



Pic 14

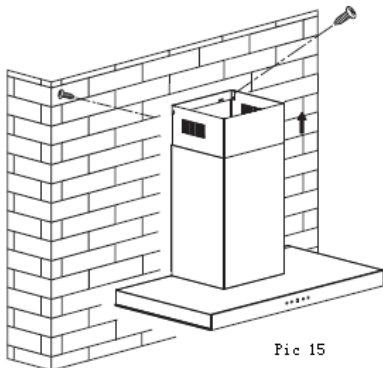
Note: You need to loosen the connecting wire before repair, follow the steps as below:

- a. Rotate the lock catch of the connecting wire following the arrow direction.
- b. Pull out the connector.

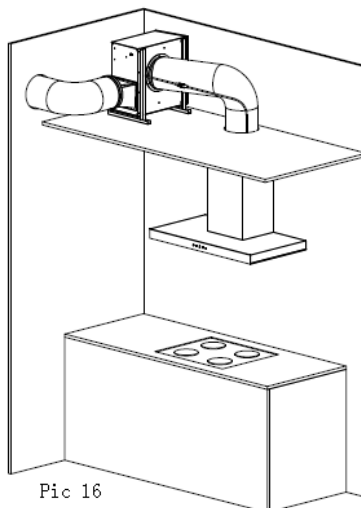


13. Adjust the height of the inside chimney to the position of the inside chimney bracket and fix on it by 2 pcs ST4\*8mm screws. See pic 15.

14. Installation is finished. See Pic 16.



Pic 15



Pic 16

### HINTS FOR EXHAUST DUCT INSTALLATION

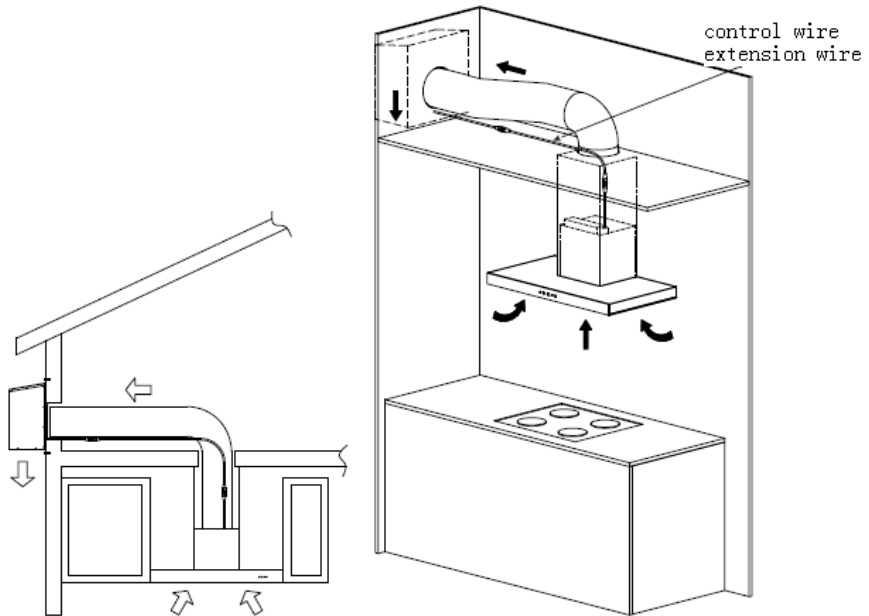
The following rules must be strictly followed to obtain optimal air extraction:

- Keep expansion pipe short and straight.
- Do not reduce the size or restrict expansion pipe.
- When using expansion pipe always install the pipe pulled taut to minimize pressure loss.
- Failure to observe these basic instructions will reduce the performance and increase noise levels of the Rangehood.
- Any installation work must be carried out by a qualified electrician or competent person.

## **INSTALLATION - EXTERNAL WALL HUNG MOTOR VERSION**

### **Schematic diagram**

1. Connect the Rangehood main body with the external cabinet by control wire, to achieve power on and off, and also speed switching.
2. The control wire is separated into 3 parts, the first two parts are fixed onto the main body and external cabinet, while the middle part is extension wire.
3. The Rangehood main body and the external cabinet will exhaust the smoke to outdoor after installing the expansion pipe.

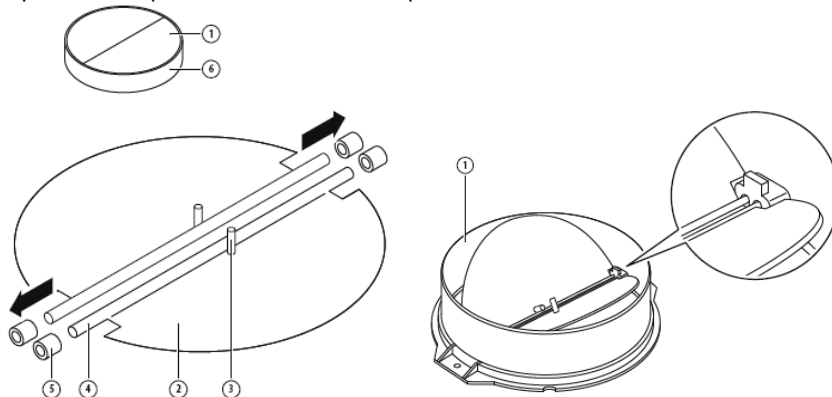


## MOUNTING OF THE V-FLAP

If the Rangehood does not have an assembled V-flap 1, you should mount the half-parts to its body. The images only show an example of how to mount the V-flap, the outlet may be various according to different models and configuration.

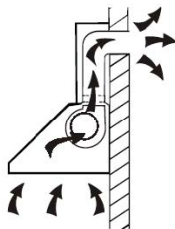
To mount the V-flap 1 you should:

- Mount two half-parts 2 into the body 6
- a pin 3 should be top oriented;
- the axis 4 should be inserted in the holes 5 on body;
- repeat all the operations for the 2nd half-part



## INSTALLATION

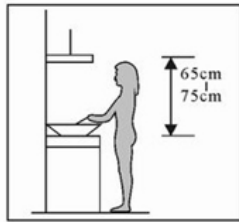
If you have an outlet to the outside, your Rangehood can be connected as below picture by means of an extraction duct (enamel, aluminium, flexible pipe or non-flammable material with an interior diameter of 220mm)



1. Before installation, turn the unit off and unplug it from the outlet.

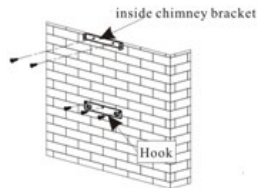


2. The Rangehood should be placed at a distance of 65~75cm above the cooking surface for best effect.



Pic1

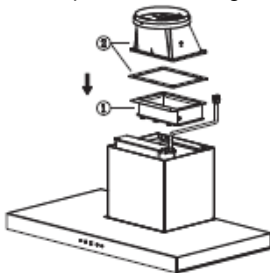
3. Install the hook on a suitable place once the installation height is fixed, and keep it in line. The fixed position of the inside chimney bracket is the place of chimney. See pic 2.



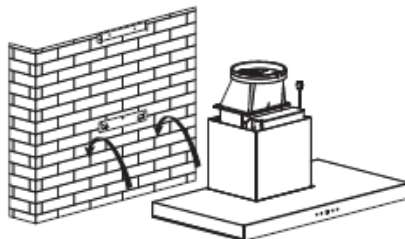
Pic.2

4.1) Equip the outlet connecting cover onto the cabinet top, and screw 6 pcs 4\*8mm screws to fix it.

2) Install the outlet seal ring and outlet, and fix them with 8 pcs 4\*14mm screws, see pic 3. Then hang the hood on the hook. See pic 4.

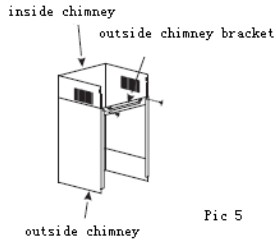


Pic 3

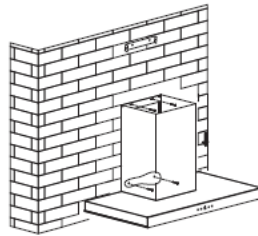


Pic 4

5. Fix the outside chimney bracket on the outside chimney by 2 pcs 4\*8mm screws, and be sure that the inside chimney can be adjusted the height in it freely, put the chimneys onto the Rangehood. See pic 5.



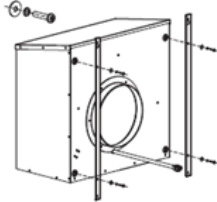
Pic 5



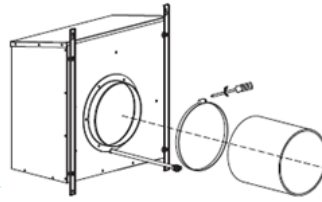
Pic 6

6. Equip the chimneys, fix the outside chimney bracket with 2 pcs 4\*40mm screws, and use 2 pcs 4\*30mm screws to fix the hood body. See pic 6.

7. Install the wall mounted bracket, and fix with 4 pcs M4 screws, spring washers and gaskets. See pic 7.



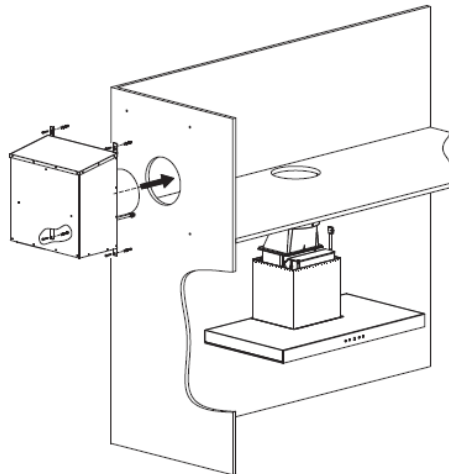
Pic 7



Pic 8

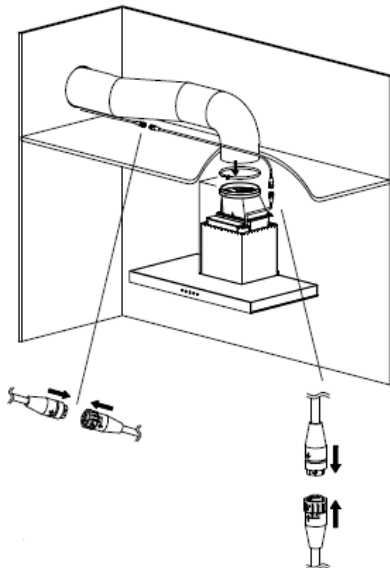
8. Equip the expansion pipe, and use stainless steel hoop to fix it. See pic 8.

9. Make a  $\varnothing 220\text{mm}$  hole on the wall, and let the expansion pipe and motor connecting wire to across the wall together. Screw 4 pcs wall plugs into the wall, and then fix the cabinet on the wall with 4 pcs 4\*30mm screws. See pic 9.

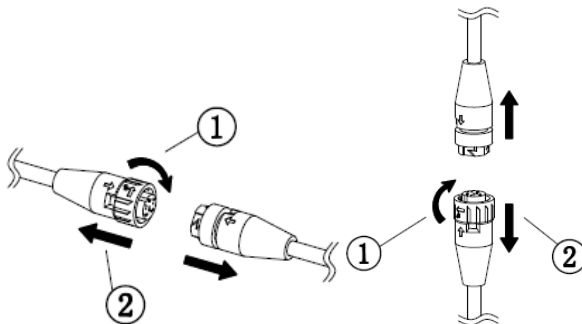


Pic 9

10. Install the expansion pipe onto the main body outlet and fix it with cable tie. Connect the motor extension wire both end with the external cabinet control wire and main body top control wire. The plastic base of the control wire should be plugged to the bottom, and make the bucket to tight status. See pic 10.



Note: You need to loosen the connecting wire before repair, follow the steps as below:  
c. Rotate the lock catch of the connecting wire following the arrow direction.  
d. Pull out the connector.



11. Adjust the height of the inside chimney to the position of the inside chimney bracket and fix on it by 2 pcs ST4\*8mm screws. See pic 11.
12. Installation is finished. See Pic 12.

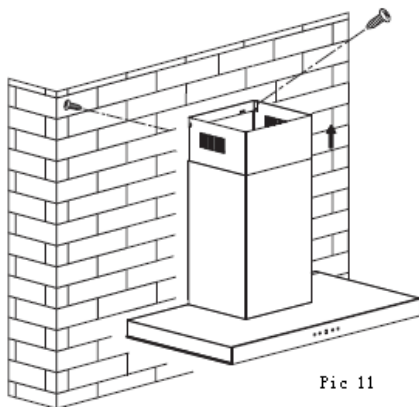
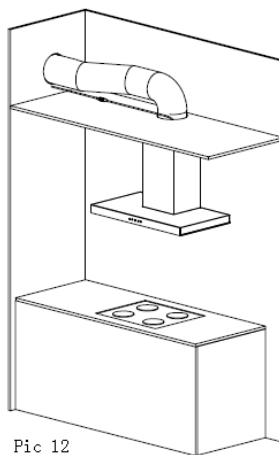


Fig 11

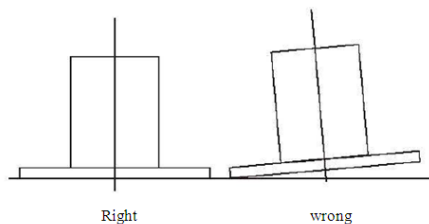


Pic 12

#### HINTS FOR EXHAUST DUCT INSTALLATION

The following rules must be strictly followed to obtain optimal air extraction:

- Keep expansion pipe short and straight.
- Do not reduce the size or restrict expansion pipe.
- When using expansion pipe always install the pipe pulled taut to minimize pressure loss.
- Failure to observe these basic instructions will reduce the performance and increase noise levels of the Rangehood.
- Any installation work must be carried out by a qualified electrician or competent person.
- Do not connect the ducting system of the hood to any existing ventilation system which is being used for any other appliance, such as warmer tube, gas tube, hot wind tube.
- The angle of the bend of the expansion pipe should not be less than 120°; you must direct the pipe horizontally, or, alternatively, the pipe should go up from the initial point and should be led to an outer wall.
- Ensure the expansion pipe selected for installation complies with relevant standards and is fire retardant.



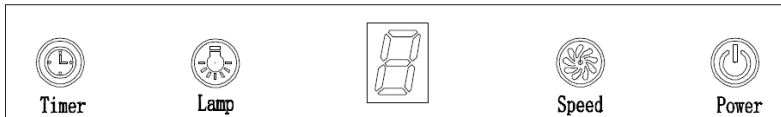
WARNING:



- For safety reason, please use only the same size of fixing or mounting screw which are recommended in this instruction manual.
- Failure to install the screws or fixing device in accordance with these instructions may result in electrical hazards.

## **Start Using Your Rangehood**

### **LED touch control**



1. Press the “Power” button, the button controls the “on” & “off” of the hood.
2. Press the button “Speed” time after time, the motor runs as low / mid / high / low / mid..., the speed runs circularly; and the LED display will indicate as 1-2-3-1-2... circularly.
3. Press “Light” button, the light is on, press this button again, the light is off. Please note the Lamp is not under control of the on/off button.
4. When the hood is working, if press the “Timer” button, the hood will go into the status of acquiescent working (acquiescent time is 9mins), and then, LED display will be shown 9.8.7.6 ...decreasing by 1, when time is up, the hood will be off automatically and the lamp will extinguish. If pressing “Timer” button, the hood will go in or go out “Timer” function.

## **TROUBLESHOOTING**

<b>Fault</b>	<b>Possible Cause</b>	<b>Solution</b>
Light on, but motor does not work	Fan switch turned off	Select a fan switch position.
	Fan switch failed	Contact service centre.
	Motor failed	Contact service centre.
Light does not work, motor does not work	House fuses blown	Reset/Replace fuses.
	Power cord loose or disconnected	Refit cord to power outlet. Switch power outlet on.
Lights not working Insufficient suction	Broken/Faulty globes	Replace globes as per this instruction.
	The distance between the Rangehood and the gas top is too far	Refit the Rangehood to the correct distance.
The Rangehood inclines	The fixing screw not tight enough	Tighten the hanging screw and make it horizontal.

### **NOTE:**



Any electrical repairs to this appliance must conform to your local, state and federal laws. Please contact the service centre if in any doubt before undertaking any of the above. Always disconnect the unit from the power source when opening the unit.

## **MAINTENANCE AND CLEANING**

### Caution:

- Before maintenance or cleaning is carried out, the Rangehood should be disconnected from the main power supply. Ensure that the Rangehood is switched off at the wall socket and the plug removed.
- External surfaces are susceptible to scratches and abrasions, so please follow the cleaning instructions to ensure the best possible result is achieved without damage.



### **GENERAL**

Cleaning and maintenance should be carried out with the appliance cold especially when cleaning. Avoid leaving alkaline or acid substances (lemon juice, vinegar etc.) on the surfaces.

### **STAINLESS STEEL**

The stainless steel must be cleaned regularly (e.g. Weekly) to ensure long life expectancy. Dry with a clean soft cloth. A specialised stainless steel cleaning fluid may be used.

### NOTE:

Ensure that wiping is done along with the grain of the stainless steel to prevent any unsightly crisscross scratching patterns from appearing.

### **CONTROL PANEL SURFACE**

The inlay control panel can be cleaned using warm soapy water. Ensure the cloth is clean and well wrung before cleaning. Use a dry soft cloth to remove any excess moisture left after cleaning.

#### **Important**

Using neutral detergents and avoid using harsh cleaning chemicals, strong household detergents or products containing abrasives, as this will affect the appliance appearance and potentially remove any printing of artwork on the control panel and will void manufactures' warranty.

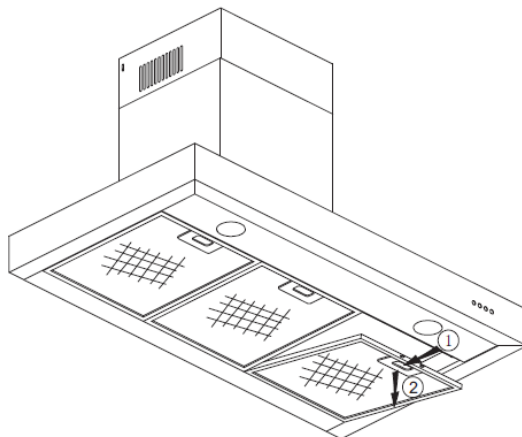
### **GREASE MESH FILTERS**

The mesh filters can be cleaned by hand. Soak them for about 3 minutes in water with a grease-loosening detergent then brush it gently with a soft brush. Please do not apply too much pressure, avoid to damage it. (Leave to dry naturally out of direct sun light)


Filters should be washed separately to crockery and kitchen utensils. it is advisable not to use rinse aid.

### **INSTALLING GREASE MESH FILTERS**

- To install filters for the following four steps.
- Angle the filter into slots at the back of the hood.
- Push the button on handle of the filter.
- Release the handle once the filter fits into a resting position.
- Repeat to install all filters.



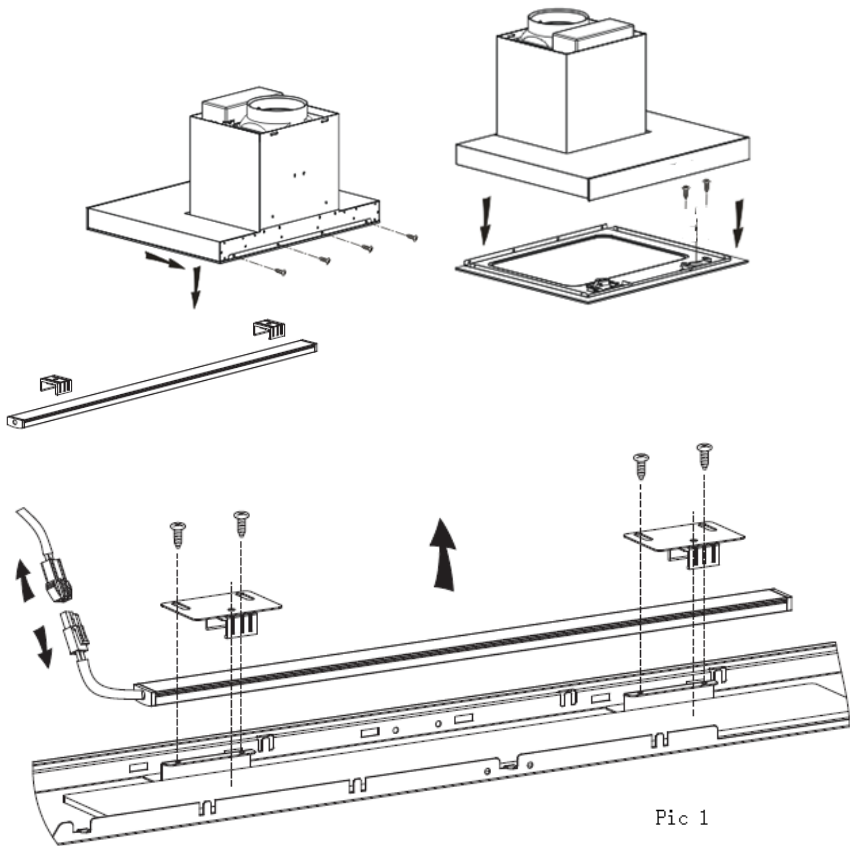
## **BULB REPLACEMENT**

<p>Important :</p> 	<ul style="list-style-type: none"><li>✧ The bulb must be replaced by the manufacturer, its service agent or similarly qualified persons.</li><li>✧ Always switch off the electricity supply before carrying out any operations on the appliance. When handling bulb, make sure it is completely cooldown before any direct contact to hands.</li><li>✧ When handling globes hold with a cloth or gloves to ensure perspiration does not come in contact with the globe as this can reduce the life of the globe.</li></ul>
--	--

### **Changing the LED light**

Note:

- Before changing the lights, make sure that the appliance is plugged off.
  - Protect against danger when changing lights, such as wearing gloves.
  - Light replacement should be carried out by qualified service personnel only.
  - Switch the unit off and pull out the plug first.
  - Loose the 4 pcs 4X10MM screws at the back of case, and then take out the outer glass.
  - Loose the 2 pcs screws on the lamp bracket, and then change the LED light. See pic below.
  - Remove the grease filter.
  - Unscrew the 4pcs screws on the LED light strip bracket by cross screwdriver, dismantle the LED light strip and pull out the terminal of the light connecting wire. See pic 1. (Note: It will need to dismantle the front panel first for models cannot directly take down the light strip.)
  - Apply the reverse procedure to install the light strip back.
- ILCOS D code for this lamp is: **DSL-7-S-650**  
– Max wattage: **7 W**  
– Voltage range: **DC 12V**



Pic 1

## **ENVIRONMENTAL PROTECTION:**



This product is marked with the symbol on the selective sorting of waste electronic equipment. This means that this product must not be disposed of with household waste but must be supported by a system of selective collection in accordance with Directive 2012/19/EU. It will then be recycled or dismantled to minimize impacts on the environment, electrical and electronic products are potentially dangerous for the environment and human health due to the presence of hazardous substances. For more information, please contact your local or regional authorities.

### **NOTE:**

The following shows how to reduce total environmental impact (e.g. energy use) of the cooking process).

- (1) Install the Rangehood in a proper place where there is efficient ventilation.
- (2) Clean the Rangehood regularly so as not to block the airway.
- (3) Remember to switch off the Rangehood light after cooking.
- (4) Remember to switch off the Rangehood after cooking.

### **INFORMATION FOR DISMANTLING**

Do not dismantle the appliance in a way which is not shown in the user manual. The appliance could not be dismantled by user. At the end of life, the appliance should not be disposed of with household waste. Check with you Local Authority or retainer for recycling advice.

**Distributed by:**  
**Glen Dimplex Australia Pty Ltd**  
**1340 Ferntree Gully Road, Scoresby VIC 3179**  
**Tel: 1800 444 357**  
**Email: [customercare@hapi.com.au](mailto:customercare@hapi.com.au)**  
**Website: [www.euromaid.com.au](http://www.euromaid.com.au)**